

MARKAGE MB

Multi MA smoke control damper



CE
1812






Table of content

Declaration of performance	4
Product presentation MARKAGE MB	5
Range and dimensions MARKAGE MB	6
Variant MARKAGE MB + BP FM	6
Range and dimensions MARKAGE MB + BP FM	6
Variant MARKAGE MB-1S	6
Range and dimensions MARKAGE MB-1S	7
Variant MARKAGE MB-1S + BP FM	7
Range and dimensions MARKAGE MB-1S + BP FM	7
Evolution - kits	8
Options - at the time of order	9
Flange types - at the time of order	10
Storage and handling	11
Installation	11
Installation in a rigid wall	12
Installation in a rigid wall, sealing with coated rigid rock wool boards	13
Installation in a rigid wall with collar 1S	15
Installation in rigid floor	16
Installation in rigid floor, sealing with rigid rock wool boards with coating	17
Installation in a horizontal refractory duct, in the plane of the duct	19
Installation in a horizontal refractory duct, overlapping with one side of the duct	21
Installation in a vertical refractory duct or in the vertical plane of a horizontal duct, within the plane of the duct	23
Installation in a vertical refractory duct, overlapping with one side of the duct	25
Installation in the vertical plane of a horizontal refractory duct, overlapping with one side of the duct	27
Installation in shaft wall, sealing with mortar	29
Installation in a refractory duct, in the cross-section of the duct	31
Installation in a refractory duct, at the end of the duct	32
Battery mounting with option JK BAT	33
Installation with vertical suspension (VS MAS)	35
Installation with horizontal suspension (HS MAS)	37
Operation and mechanisms	38
Electrical connection	40
Weights	42
Selection data	45
Sample order	46
Approvals and certificates	46

Explanation of the abbreviations and pictograms

<p>Wn = nominal width Hn = nominal height Sn = free air passage Sl = free surface E = integrity I = thermal insulation S = smoke leakage 60/120 = fire resistance time Pa = pascal o -> i = meets the criteria from the outside (o) to the inside (i) i <-> o = fire side not important AA = automatic activation MA = manual activation multi = multi compartment</p>	<p>ved = vertical duct hod = horizontal duct vew = vertical wall penetration V = volt W = watt V AC = Volt alternating current V DC = Volt direct current E.TELE = power supply magnet E.ALIM = power supply motor Auto = automatic Tele = remote controlled Pnom = nominal capacity Pmax = maximum capacity DAS MOD = modular product</p>	<p>OP = option (delivered with the product) KIT = kit (delivered separately for repair or upgrade) PG = connection flange to the duct GKB (type A) / GKF (type F): "GKB" stands for standard plasterboards (type A according to EN 520) while "GKF" plasterboards offer a higher fire resistance for a similar plate thickness (type F according to EN 520) Cal-Sil = calcium silicate ζ [-] = pressure loss coefficient Q = airflow ΔP = static pressure drop v = air speed in the duct Lwa = A-weighted sound power level ME = motorised H = habitat</p>
---	---	---

	large dimensions		fast and easy installation
	superior air tightness (tested at 1500 Pa)		

DECLARATION OF PERFORMANCE

CE_DoP_Rf-t_V32_EN E-05/2022

1. Unique identification code of the product-type:	MARKAGE MB
2. Intended use/s:	Rectangular single and multi MA smoke control damper for installation in a wall or refractory duct.
3. Manufacturer:	Rf-Technologies NV, Lange Ambachtstraat 40, B-9860 Oosterzele
4. System/s of AVCP:	System 1
5. Harmonised standard / European Assessment Document; notified body / European Technical Assessment, Technical Assessment Body, notified body; certificate of constancy of performance:	EN 12101-8:2011, Efectis with identification number 1812; Efectis_1812-CPR-1905
6. Declared performance according to EN 12101-8:2011	(fire resistance according to EN 1366-10, classification according to EN 13501-4)

Range	Wall type	Wall	Sealing	Installation	Performance		
					Classification	Harmonised standard	
200x200 mm ≤ MARKAGE MB ≤ 1000x1600 mm	Rigid wall	Aerated concrete ≥ 100 mm	Mortar	1	EI 90 (V,w,i) ↔ o) S1500 C10000 HOT 400/30 MA MULTI	EN 12101-8:2011	
	Rigid floor	Aerated concrete ≥ 100 mm	Stone wool + coating ≥ 140 kg/m ³	1	EI 90 (V,w,i) ↔ o) S1500 C10000 HOT 400/30 MA MULTI		
		Aerated concrete ≥ 100 mm	Mortar	1	EI 90/120 (h,w,i) ↔ o) S1500 C10000 HOT 400/30 MA MULTI		
	Horizontal refractory duct	Promatect LS ≥ 35 mm	Promat glue K84	Promat glue K84	1		EI 90/120* (h _{red} ,i) ↔ o) S1500 C10000 HOT 400/30 MA MULTI
			Promatect LS ≥ 35 mm	Promat glue K84	1		EI 90/120* (V _{red} ,i) ↔ o) S1500 C10000 HOT 400/30 MA MULTI
		Promatect L500 ≥ 40 mm	Promat glue K84	1	EI 90/120* (h _{red} ,i) ↔ o) S1500 C10000 HOT 400/30 MA MULTI		
		Promatect L500 ≥ 40 mm	Promat glue K84	1	EI 90/120* (V _{red} ,i) ↔ o) S1500 C10000 HOT 400/30 MA MULTI		
		Promatect AD ≥ 40 mm	Promat glue K84	1	EI 90/120* (h _{red} ,i) ↔ o) S1500 C10000 HOT 400/30 MA MULTI		
		Promatect AD ≥ 40 mm	Promat glue K84	1	EI 90/120* (V _{red} ,i) ↔ o) S1500 C10000 HOT 400/30 MA MULTI		
	Vertical refractory duct	Promatect LS ≥ 35 mm	Promat glue K84	Promat glue K84	1		EI 90/120* (V _{red} ,i) ↔ o) S1500 C10000 HOT 400/30 MA MULTI
Promatect LS ≥ 35 mm			Promat glue K84	1	EI 90/120* (h _{red} ,i) ↔ o) S1500 C10000 HOT 400/30 MA MULTI		
Promatect L500 ≥ 40 mm		Promat glue K84	1	EI 90/120* (V _{red} ,i) ↔ o) S1500 C10000 HOT 400/30 MA MULTI			
Promatect L500 ≥ 40 mm		Promat glue K84	1	EI 90/120* (h _{red} ,i) ↔ o) S1500 C10000 HOT 400/30 MA MULTI			
Promatect AD ≥ 40 mm		Promat glue K84	1	EI 90/120* (V _{red} ,i) ↔ o) S1500 C10000 HOT 400/30 MA MULTI			
Promatect AD ≥ 40 mm		Promat glue K84	1	EI 90/120* (h _{red} ,i) ↔ o) S1500 C10000 HOT 400/30 MA MULTI			
Horizontal refractory duct	Promatect LS ≥ 35 mm	Masonry, concrete blocks, concrete EI 90/120	Colle Promat K84 / mortier	1	EI 90/120* (h _{red} ,i) ↔ o) S1000 C10000 MA MULTI		
		Masonry, concrete blocks, concrete EI 90/120	Colle Promat K84 / mortier	1	EI 90/120* (V _{red} ,i) ↔ o) S1000 C10000 MA MULTI		
	Promatect LS ≥ 35 mm	Promat glue K84	1	EI 90/120* (h _{red} ,i) ↔ o) S1000 C10000 MA MULTI			
	Promatect L500 ≥ 40 mm	Promat glue K84	1	EI 90/120* (V _{red} ,i) ↔ o) S1000 C10000 MA MULTI			
	Promatect L500 ≥ 40 mm	Promat glue K84	1	EI 90/120* (h _{red} ,i) ↔ o) S1000 C10000 MA MULTI			
	Promatect AD ≥ 40 mm	Promat glue K84	1	EI 90/120* (V _{red} ,i) ↔ o) S1000 C10000 MA MULTI			
Vertical refractory duct	Promatect LS ≥ 35 mm	Promat glue K84	Promat glue K84	1	EI 90/120* (V _{red} ,i) ↔ o) S1000 C10000 MA MULTI		
		Promatect LS ≥ 35 mm	Promat glue K84	1	EI 90/120* (h _{red} ,i) ↔ o) S1000 C10000 MA MULTI		
	Promatect L500 ≥ 40 mm	Promat glue K84	1	EI 90/120* (V _{red} ,i) ↔ o) S1000 C10000 MA MULTI			
	Promatect L500 ≥ 40 mm	Promat glue K84	1	EI 90/120* (h _{red} ,i) ↔ o) S1000 C10000 MA MULTI			
	Promatect AD ≥ 40 mm	Promat glue K84	1	EI 90/120* (V _{red} ,i) ↔ o) S1000 C10000 MA MULTI			
	Promatect AD ≥ 40 mm	Promat glue K84	1	EI 90/120* (h _{red} ,i) ↔ o) S1000 C10000 MA MULTI			
Rigid wall	Masonry, concrete blocks, concrete EI 90/120	Colle Promat K84 / mortier	1	EI 90/120* (h _{red} ,i) ↔ o) S1000 C10000 MA MULTI			
	Aerated concrete ≥ 100 mm	Not applicable	1	EI 90/120 (V,w,i) ↔ o) S1500 C10000 HOT 400/30 MA MULTI			

1 Type of installation: built-in 0/90/180/270°. * installation in EI120 certified ducts for EI120 classification of the complete system.

Nominal activation conditions/sensitivity:	Pass
Response delay (response time): closure time	Pass
Operational reliability: cycling	BEN / BEE / BE - 10000 cycles (with load)
Durability of response delay:	Pass
Durability of operational reliability:	Pass
High operational temperature (HOT 400/30):	Pass

The performance of the product identified above is in conformity with the set of declared performance/s. This declaration of performance is issued, in accordance with Regulation (EU) No 305/2011, under the sole responsibility of the manufacturer identified above.

Signed for and on behalf of the manufacturer by:

Mathieu Steenland, Technical Manager



Oosterzele, 05/2022



Product presentation MARKAGE MB

The MARKAGE MB rectangular Multi MA smoke control damper is suitable for installation in a wall or a refractory duct and has a fire resistance of 90 or 120 minutes, depending on the application and installation. The damper is available in a wide range of dimensions. The MARKAGE MB smoke control damper has an MA and HOT400/30 classification which ensures that in the event of a fire, the damper blades can still change position during the first 30 minutes. In this way, smoke control can be adjusted during or after a fire.

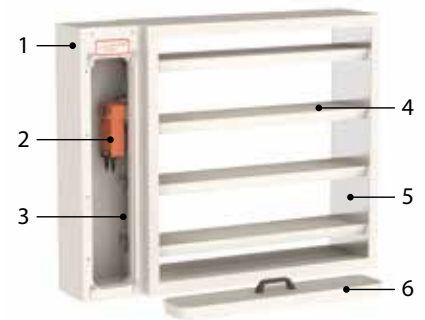
Smoke control shutters and dampers are suitable for use in ventilating protected lobbies, venting to shafts either naturally or mechanically. They open to evacuate smoke in emergency situations whilst maintaining fire resistant integrity in standby position.

- ✓ large number of installation options
- ✓ can be activated with a bus communication module
- ✓ large dimensions
- ✓ version available for dry installation
- ✓ superior air tightness (tested at 1500 Pa)



- compliant with EN 12101-8
- tested according to EN 1366-10 and EN 1366-2
- suitable for installation in rigid wall and refractory ducts
- maintenance-free
- for indoor use

1. actuator compartment (+ communication module)
2. actuator
3. damper blade mechanism
4. damper blade
5. damper housing
6. access hatch

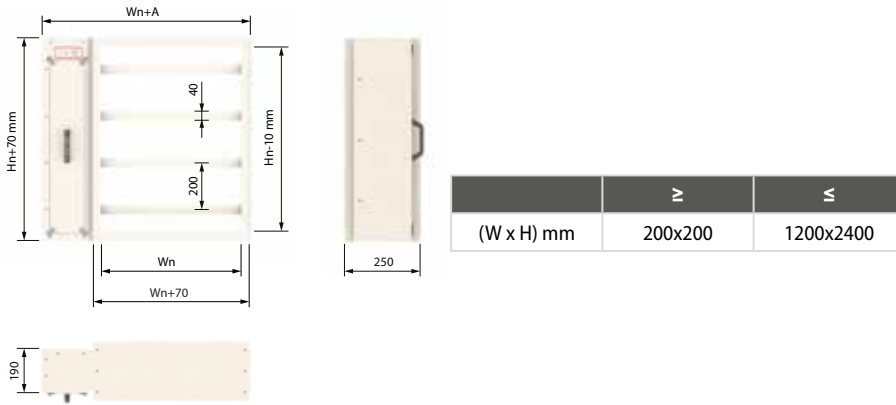


Range and dimensions MARKAGE MB

Range and dimensions MARKAGE MB

Rectangular Multi MA smoke control damper suitable for installation in a wall or a refractory duct
 H_n in steps of 200 mm, W_n in steps of 50 mm.

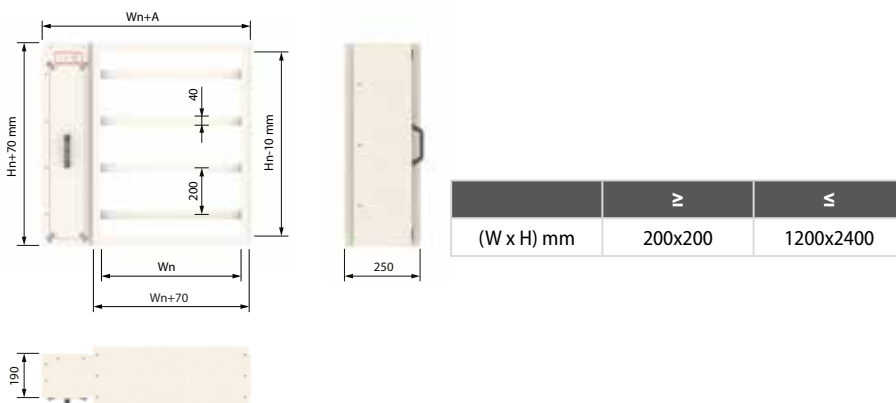
For dimensions ($W_n \times H_n$) from 200 x 200 mm to 1200 x 2400 mm, $A = 295$ mm.



Variant MARKAGE MB + BP FM

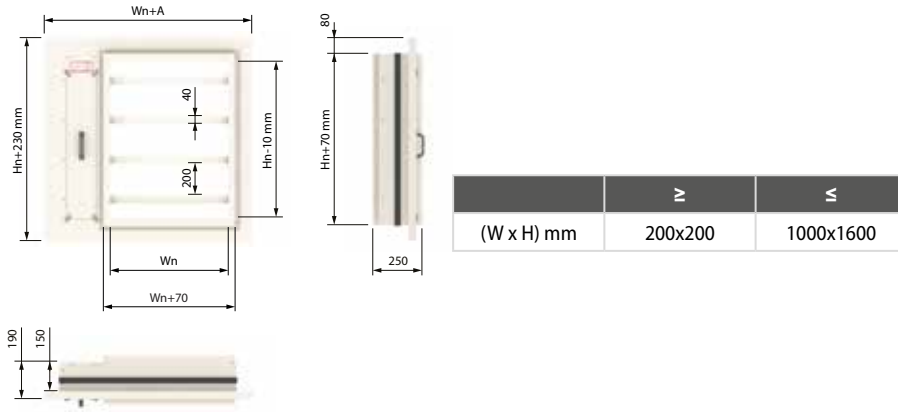
Smoke control damper with provision/space for a bus communication module (option BP FM) or integrated ZENiX 1SD.

For dimensions ($W_n \times H_n$) from 200 x 200 mm to 1200 x 400 mm, $A = 465$ instead of 295 mm.



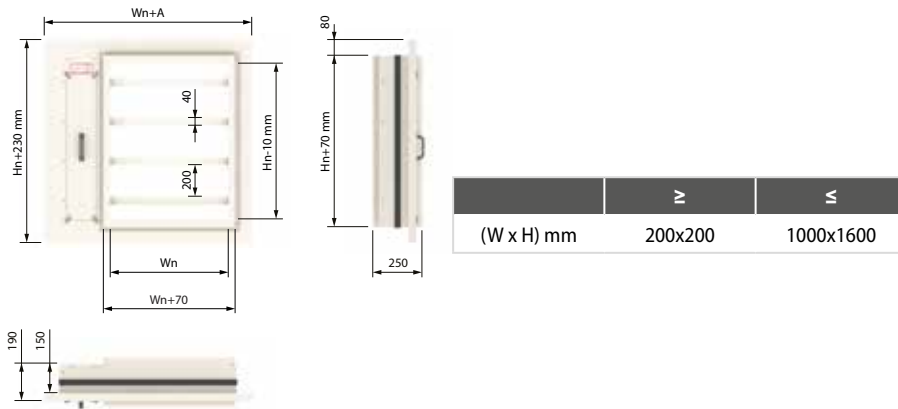
Variant MARKAGE MB-1S

Smoke control damper with collar for dry installation.
 For dimensions ($W_n \times H_n$) from 200 x 200 mm to 1000 x 1600 mm, $A = 455$ mm.



Variant MARKAGE MB-1S + BP FM

Smoke control damper with collar for dry installation and provision/space for a bus communication module or integrated ZENiX 1SD.
 For dimensions ($W_n \times H_n$) from 200 x 200 mm to 1000 x 400 mm, $A = 625$ instead of 455 mm.



Evolution - kits



KITS BEN24

Servomotor BEN 24V



KITS BEN230

Servomotor BEN 230V



KITS BEN24-ST

Servomotor BEN 24V with plug (ST)



KITS BEE24

Servomotor BEE 24V



KITS BEE230

Servomotor BEE 230V



KITS BEE24-ST

Servomotor BEE 24V with plug (ST)



KITS BE24

Servomotor BE 24V




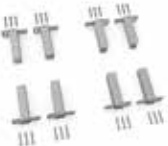



KITS BE230

Servomotor BE 230V








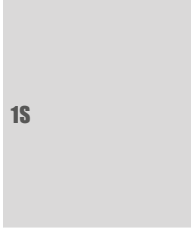
KITS BE24-ST

Servomotor BE 24V with plug (ST)

	KITS BP FM	Base plate for a bus communication module
	VS	Mounting brackets for vertical suspension
	HS	Mounting brackets for horizontal suspension
	KITS SUPP	Installation material for seals with a joint
	JK BAT	Mounting hardware for combining multiple dampers into a battery

Options - at the time of order

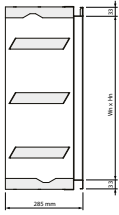
	BP FM	Base plate or space for a bus communication module
	VS	Mounting brackets for vertical suspension
	HS	Mounting brackets for horizontal suspension
	KITS SUPP	Installation material for seals with a joint
	JK BAT	Mounting hardware for combining multiple dampers into a battery



1S

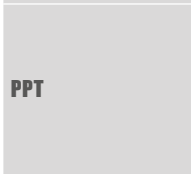
Option for dry installation of the damper

Flange types - at the time of order



PG30

Flange for connection to metal ducts.



PPT

Galvanised steel grille.

Storage and handling

As this product is a safety element, it should be stored and handled with care.

Avoid:

- any kind of impact or damage
- contact with water
- deformation of the casing

It is recommended:

- to unload in a dry area
- not to flip or roll the product to move it
- not to use the damper as a scaffold, working table, etc.
- not to store smaller dampers inside larger ones

Installation

General points

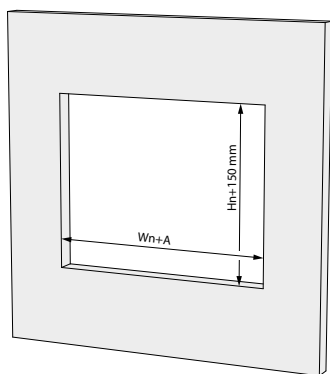
- The installation must comply with the installation manual and the classification report.
- The installation of the smoke control duct must comply with the classification report delivered by the manufacturer.
- Axis orientation: see the declaration of performance.
- Avoid the obstruction of adjoining smoke control ducts.
- Verify if the blade can move freely.
- Rf-t smoke dampers may be applied to smoke control ducts that have been tested according to EN 1366-8 and EN 1366-9 as appropriate, constructed from similar materials with a fire resistance, thickness and density equal or superior to these of the tested materials.
- Caution: when fitting, the product should be handled with care and remain protected from any sealing products.
- Caution: before putting the installation into operation, clean off all the dust and dirt.
- Caution: bear in mind the blade's clearance inside the smoke control duct.

Installation in a rigid wall

The product was tested and approved in:

Range	Wall type	Sealing	Classification
200x200 mm ≤ MARKAGE MB ≤ 1000x1600 mm	Rigid wall	Aerated concrete ≥ 100 mm Mortar	El 90 (v,w i ↔ o) S1500 C10000 HOT 400/30 MA MULTI

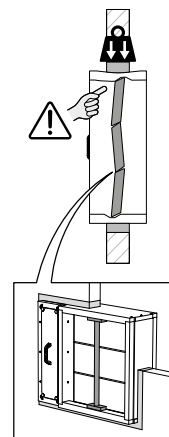
1



1. Make an opening with dimensions $(W_n+A) \times (H_n+150)$ mm.
A = 375 mm for a standard damper.

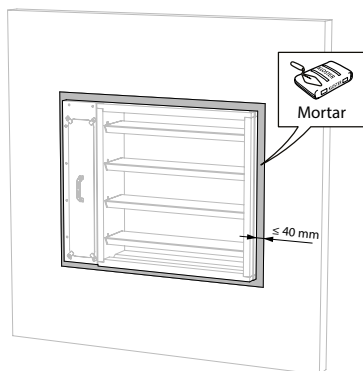
⚠ Caution: for a damper with height ≤ 400 mm and option BP FM or ZENiX 1SD, A = 545 mm.

2



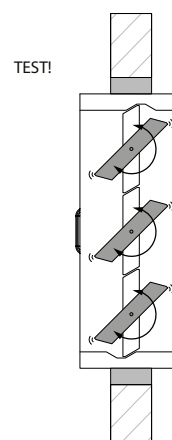
2. Mount the damper in the opening.
Support the tunnel and block the damper blades in the closed position to prevent deformation of the tunnel while the sealing is curing.

3



3. Seal the rest of the opening with standard mortar.

4

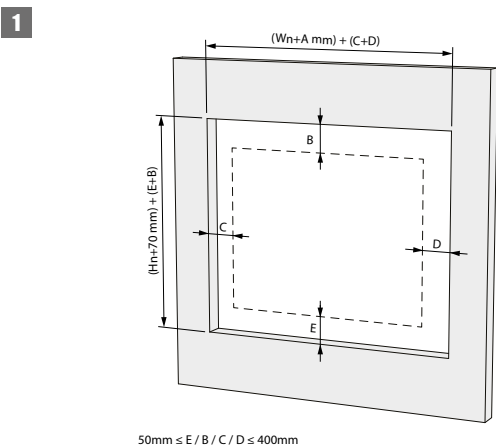


4. Check the functioning of the damper blades after the curing time of the sealing and after removing the struts.
Test the mechanism of the damper.

Installation in a rigid wall, sealing with coated rigid rock wool boards

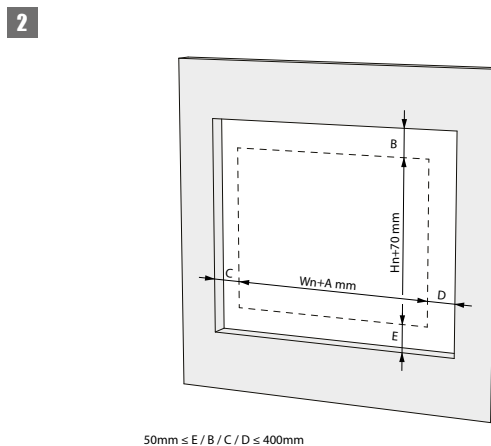
The product was tested and approved in:

Range	Wall type	Sealing	Classification
200x200 mm ≤ MARKAGE MB ≤ 1000x1600 mm	Rigid wall	Aerated concrete ≥ 100 mm	Stone wool + coating ≥ 140 kg/m ³
			El 90 (v,w i ↔ o) S1500 C10000 HOT 400/30 MA MULTI

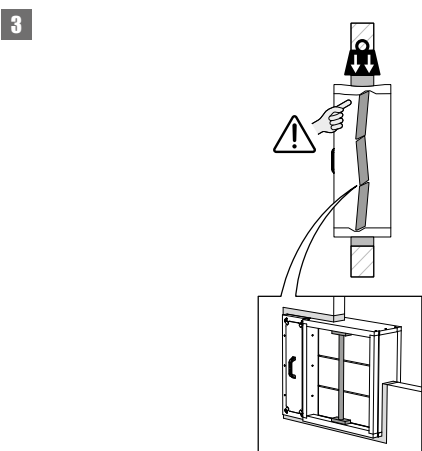


1. Make an opening with dimensions $(Wn+A+C+D) \times (Hn+70+B+E)$ mm. $A = 295$ mm for a standard damper.

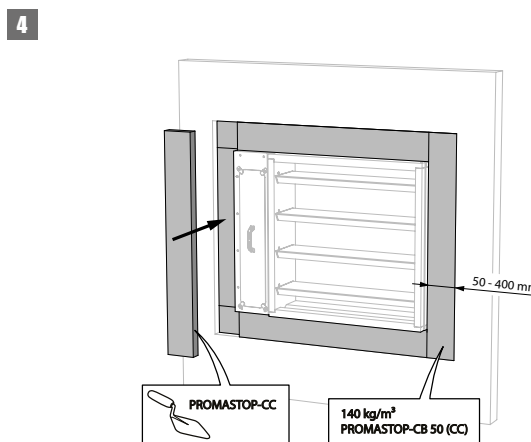
⚠ Caution: for a damper with height ≤ 400 mm and option BP FM or ZENix 1SD, $A = 465$ mm.



2. Mount the damper in the opening. Sealing B, C, D & E between 50 and 400 mm each. The damper does not need to be centered in the opening. The maximum distance between the damper and the edge of the opening is 400 mm.

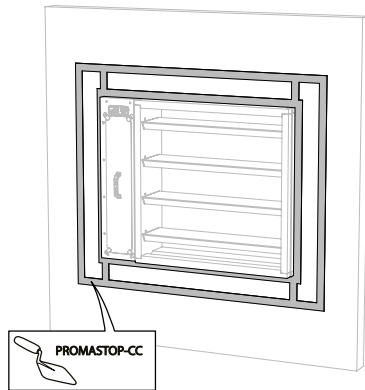


3. Support the tunnel and block the damper blades in the closed position to prevent deformation of the tunnel while the sealing is curing.



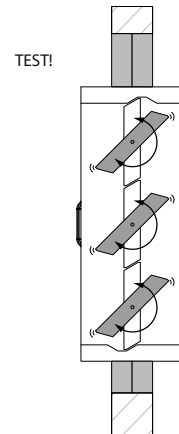
4. Seal the rest of the opening with 2 layers of 50 mm thick coated rigid mineral wool panels (type PROMASTOP CB-CC). The panels must be installed staggered. When installing, always apply coating (type PROMASTOP CC) to the end of each panel.

5



5. The panels must be installed staggered and the joints must be covered all around with coating (type PROMASTOP-CC) to create a uniform layer thickness for the entire sealing.

6

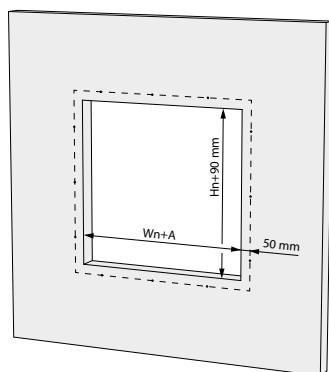


6. Check the functioning of the damper blades after the curing time of the sealing and after removing the struts. Test the mechanism of the damper.

Installation in a rigid wall with collar 1S

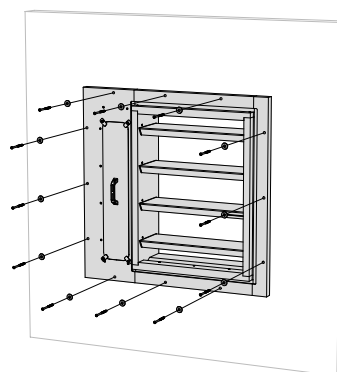
The product was tested and approved in:

Range	Wall type	Sealing	Classification
200x200 mm ≤ MARKAGE MB-1S ≤ 1000x1600 mm	Rigid wall	Aerated concrete ≥ 100 mm	El 90/120 (v _e w i ↔ o) S1500 C10000 HOT 400/30 MA MULTI

1


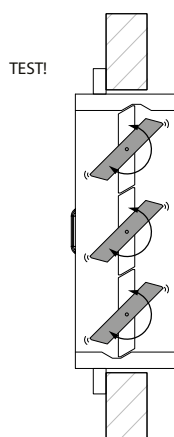
1. Make an opening with dimensions $(W_n+A) \times (H_n+90)$ mm.
 $A = 315$ mm for a standard damper.

⚠ Caution: for a damper with height ≤ 400 mm and option BP FM or ZENiX 1SD, $A = 485$ mm.

2


2. Mount the damper centrally in the opening with the collar against the wall and the collar mounting holes positioned 50 mm from the edge of the opening. Secure the collar to the wall with the supplied screws $\varnothing 8 \times 110$ mm and tabs.

⚠ Caution: the supplied screws are only suitable for aerated concrete. Use the appropriate type of screws for each wall type: For full bricks: pre-drill with $\varnothing 6$ mm and use the screws and tabs supplied. For compacted concrete: use concrete screws or anchors with characteristic resistance $R_{90} \dots R_{120} \geq 0.1$ kN.

3


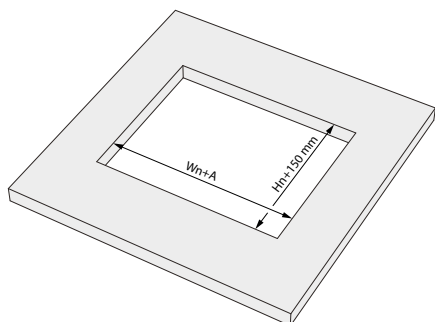
3. Check the functioning of the damper blades.
 Test the mechanism of the damper.

Installation in rigid floor

The product was tested and approved in:

Range	Wall type	Sealing	Classification
200x200 mm ≤ MARKAGE MB ≤ 1000x1600 mm	Rigid floor	Aerated concrete ≥ 100 mm Mortar	EI 90/120 (h _o w i ↔ o) S1500 C10000 HOT 400/30 MA MULTI

1



1. Make an opening with dimensions $(W_n+A) \times (H_n+150)$ mm.
A = 375 mm for a standard damper.

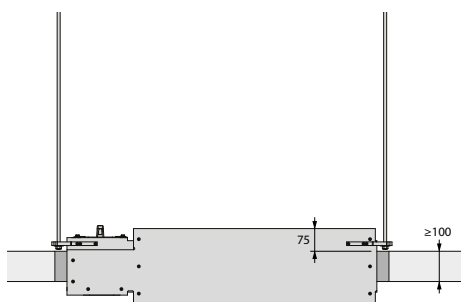
⚠ Caution: for a damper with height ≤ 400 mm and option BP FM or ZENiX 1SD, A = 545 mm.

2



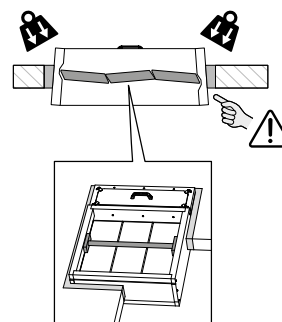
2. Mount the damper in the opening.

3



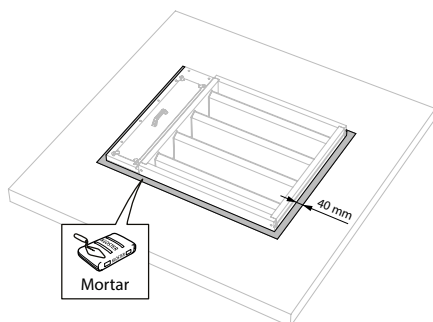
3. Optionally, the damper can be suspended separately with the horizontal suspension (HS MAS).

4



4. Support the tunnel and block the damper blades in the closed position to prevent deformation of the tunnel while the sealing is curing.

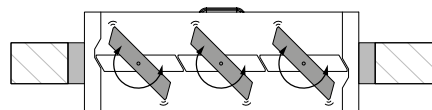
5



5. Seal the rest of the opening with standard mortar.

6

TEST!

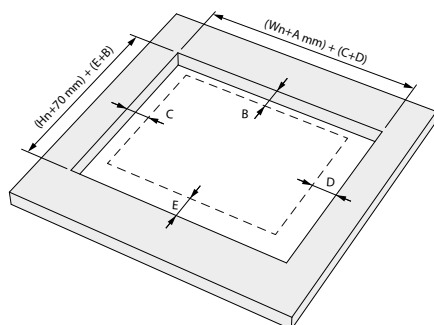


6. Check the functioning of the damper blades after the curing time of the sealing and after removing the struts. Test the mechanism of the damper.

Installation in rigid floor, sealing with rigid rock wool boards with coating

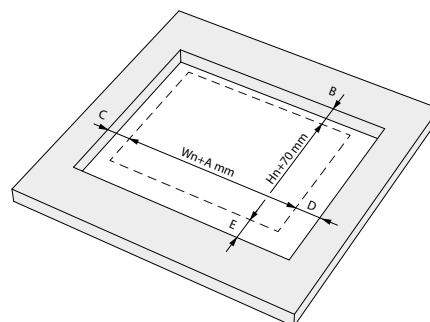
The product was tested and approved in:

Range	Wall type	Sealing	Classification
200x200 mm ≤ MARKAGE MB ≤ 1000x1600 mm	Rigid floor	Aerated concrete ≥ 100 mm	Stone wool + coating ≥ 140 kg/m ³
			El 90/120 (h _o w i ↔ o) S1500 C10000 HOT 400/30 MA MULTI

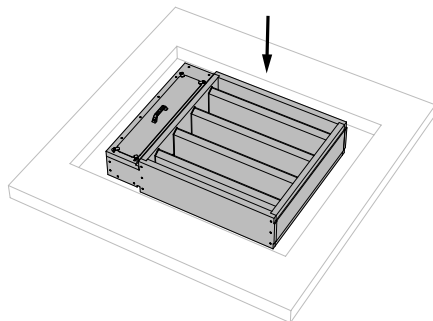
1

 $50\text{mm} \leq E / B / C / D \leq 400\text{mm}$

1. Make an opening with dimensions $(Wn+A+C+D) \times (Hn+70+B+E)$ mm. A = 295 mm for a standard damper.

⚠ Caution: for a damper with height ≤ 400 mm and option BP FM or ZENiX 1SD, A = 465 mm.

2

 $50\text{mm} \leq E / B / C / D \leq 400\text{mm}$

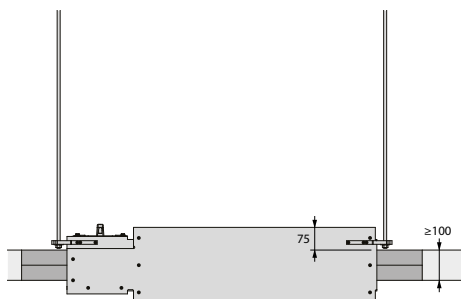
2. Sealing B, C, D & E between 50 and 400 mm each. The damper does not need to be centered in the opening. The maximum distance between the damper and the edge of the opening is 400 mm.

3


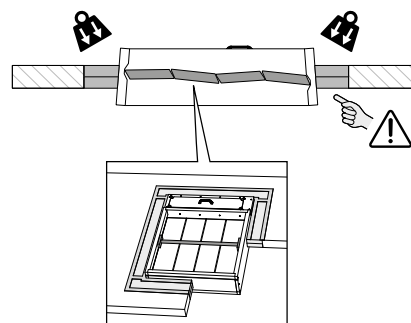
3. Mount the damper in the opening.

4


4. Bring the damper to the correct height so the seal fits centrally on the damper.

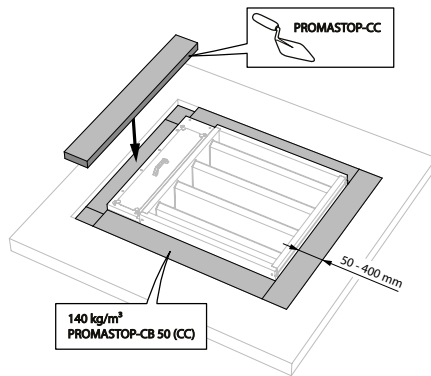
5


5. Optionally, the damper can be suspended separately with the horizontal suspension (HS MAS).

6


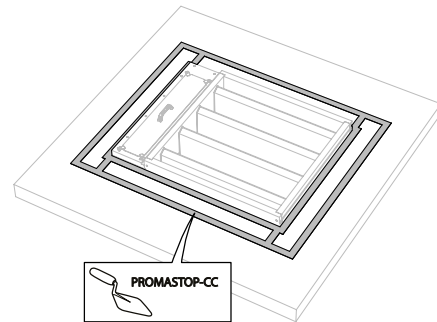
6. Support the tunnel and block the damper blades in the closed position to prevent deformation of the tunnel while the sealing is curing.

7



7. Seal the rest of the opening with 2 layers of 50 mm thick coated rigid mineral wool panels (type PROMASTOP CB-CC). The panels must be installed staggered. When installing, always apply coating (type PROMASTOP CC) to the end of each panel.

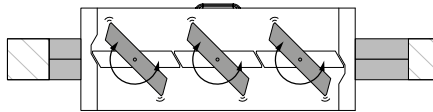
8



8. The joints must be covered all around with coating (type PROMASTOP-CC) to create a uniform layer thickness for the entire sealing.

9

TEST!

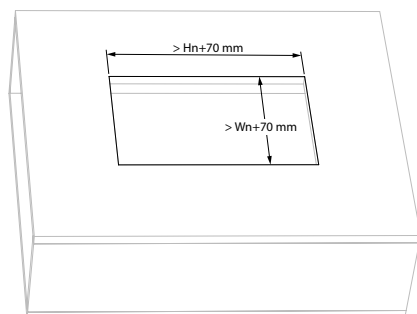


9. Check the functioning of the damper blades after the curing time of the sealing and after removing the struts. Test the mechanism of the damper.

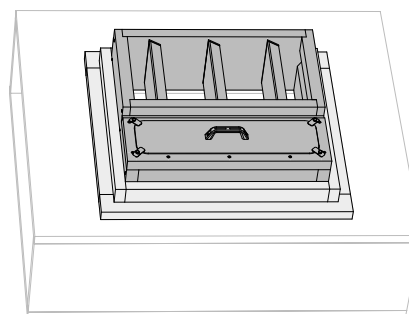
Installation in a horizontal refractory duct, in the plane of the duct

The product was tested and approved in:

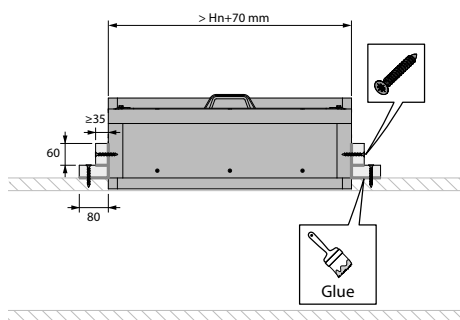
Range	Wall type	Sealing	Classification	
200x200 mm ≤ MARKAGE MB ≤ 1000x1600 mm	Horizontal refractory duct	Promatect LS ≥ 35 mm	Promat glue K84	EI 90/120* (h _{od} i ↔ o) S1500 C10000 HOT 400/30 MA MULTI
200x200 mm ≤ MARKAGE MB ≤ 1000x1600 mm	Horizontal refractory duct	Promatect L500 ≥ 40 mm	Promat glue K84	EI 90/120* (h _{od} i ↔ o) S1500 C10000 HOT 400/30 MA MULTI
200x200 mm ≤ MARKAGE MB ≤ 1000x1600 mm	Horizontal refractory duct	Promatect AD ≥ 40 mm	Promat glue K84	EI 90/120* (h _{od} i ↔ o) S1500 C10000 HOT 400/30 MA MULTI
1000x1600 mm ≤ MARKAGE MB ≤ 1200x2400 mm	Horizontal refractory duct	Promatect LS ≥ 35 mm	Promat glue K84	EI 90/120* (h _{od} i ↔ o) S1000 C10000 MA MULTI
1000x1600 mm ≤ MARKAGE MB ≤ 1200x2400 mm	Horizontal refractory duct	Promatect L500 ≥ 40 mm	Promat glue K84	EI 90/120* (h _{od} i ↔ o) S1000 C10000 MA MULTI
1000x1600 mm ≤ MARKAGE MB ≤ 1200x2400 mm	Horizontal refractory duct	Promatect AD ≥ 40 mm	Promat glue K84	EI 90/120* (h _{od} i ↔ o) S1000 C10000 MA MULTI

1


1. Make an opening with minimum dimensions (Wn+70) x (Hn+70) mm.

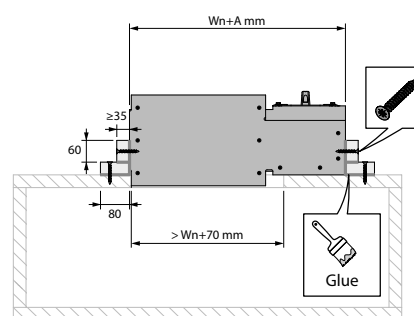
2


2. The damper can be mounted directly in this opening. Fit the damper in the opening with the access hatch accessible. Place the back wall of the damper against the duct. Installation of the damper does not require a minimum duct depth. The product will not obstruct the airflow in the duct.

3


3. Seal the joint between the damper and the opening with Promat Glue K84. Install the positioning and sealing strips with screws Ø 5 x 50 mm with a maximum spacing of 200 mm and Promat Glue K84. Make sure no screws penetrate the damper casing.

Fabricate the positioning and sealing strips from duct material. For a corner seal, use two strips of 80 mm and 60 mm respectively.

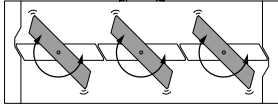
4


4. A = 295 mm for a standard damper.

⚠ Caution: for a damper with height ≤ 400 mm and option BP FM or ZENiX 1SD, A = 465 mm.

5

TEST!

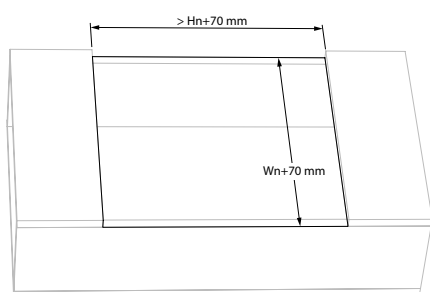


5. Check the functioning of the damper blades after the curing time of the sealing and after removing the struts. Test the mechanism of the damper.

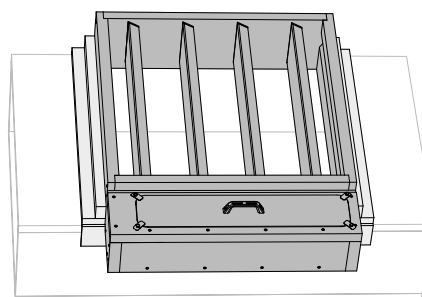
Installation in a horizontal refractory duct, overlapping with one side of the duct

The product was tested and approved in:

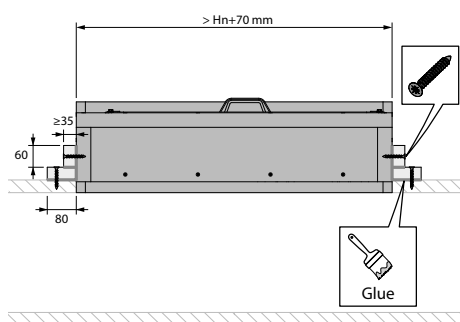
Range	Wall type	Sealing	Classification
200x200 mm ≤ MARKAGE MB ≤ 1000x1600 mm	Horizontal refractory duct	Promatect LS ≥ 35 mm	EI 90/120* (h _{od} i ↔ o) S1500 C10000 HOT 400/30 MA MULTI
200x200 mm ≤ MARKAGE MB ≤ 1000x1600 mm	Horizontal refractory duct	Promatect L500 ≥ 40 mm	EI 90/120* (h _{od} i ↔ o) S1500 C10000 HOT 400/30 MA MULTI
200x200 mm ≤ MARKAGE MB ≤ 1000x1600 mm	Horizontal refractory duct	Promatect AD ≥ 40 mm	EI 90/120* (h _{od} i ↔ o) S1500 C10000 HOT 400/30 MA MULTI
1000x1600 mm ≤ MARKAGE MB ≤ 1200x2400 mm	Horizontal refractory duct	Promatect LS ≥ 35 mm	EI 90/120* (h _{od} i ↔ o) S1000 C10000 MA MULTI
1000x1600 mm ≤ MARKAGE MB ≤ 1200x2400 mm	Horizontal refractory duct	Promatect L500 ≥ 40 mm	EI 90/120* (h _{od} i ↔ o) S1000 C10000 MA MULTI
1000x1600 mm ≤ MARKAGE MB ≤ 1200x2400 mm	Horizontal refractory duct	Promatect AD ≥ 40 mm	EI 90/120* (h _{od} i ↔ o) S1000 C10000 MA MULTI

1


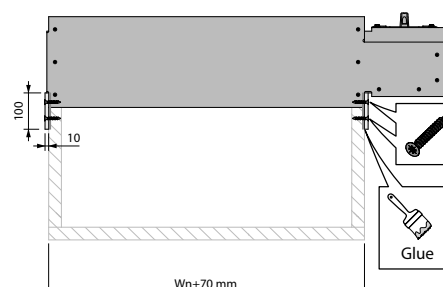
1. Make an opening with minimum dimensions (Wn+70) x (Hn+70) mm.
If the opening overlaps with an edge of the duct, follow the installation method below.

2


2. The damper can be mounted directly in this opening. If the flanges of the damper coincide with an edge of the duct, make sure they are flush with the duct. Installation of the damper does not require a minimum duct depth. The product will not obstruct the airflow in the duct.

3


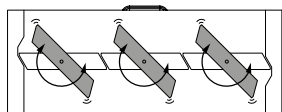
3. Seal the joint between the damper and the opening with Promat Glue K84. Install the positioning and sealing strips with screws Ø 5 x 50 mm with a maximum spacing of 200 mm and Promat Glue K84. Make sure no screws penetrate the damper casing.
Fabricate the positioning and sealing strips from duct material. For a corner seal, use two strips of 80 mm and 60 mm respectively.

4


4. For flat sealing on the flange of the damper, use a strip 10 x 100 mm made from calcium silicate with a density of 870 kg/m³ (type PROMATECT H). Fasten these bars strips two rows of screws Ø 3.9 x 35 mm at intervals of 150 mm.

5

TEST!

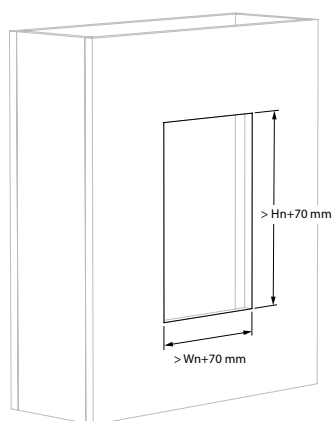


5. Check the functioning of the damper blades after the curing time of the sealing and after removing the struts. Test the mechanism of the damper.

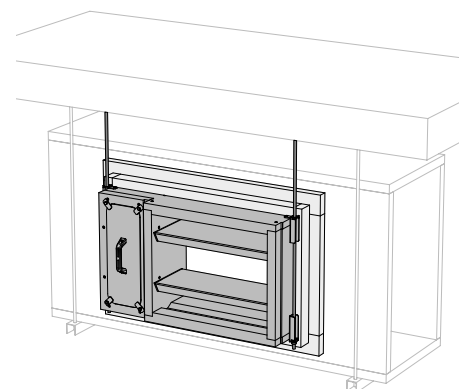
Installation in a vertical refractory duct or in the vertical plane of a horizontal duct, within the plane of the duct

The product was tested and approved in:

Range	Wall type		Sealing	Classification
200x200 mm ≤ MARKAGE MB ≤ 1000x1600 mm	Vertical refractory duct	Promatect LS ≥ 35 mm	Promat glue K84	EI 90/120* (v _{ed} i ↔ o) S1500 C10000 HOT 400/30 MA MULTI
200x200 mm ≤ MARKAGE MB ≤ 1000x1600 mm	Vertical refractory duct	Promatect L500 ≥ 40 mm	Promat glue K84	EI 90/120* (v _{ed} i ↔ o) S1500 C10000 HOT 400/30 MA MULTI
200x200 mm ≤ MARKAGE MB ≤ 1000x1600 mm	Vertical refractory duct	Promatect AD ≥ 40 mm	Promat glue K84	EI 90/120* (v _{ed} i ↔ o) S1500 C10000 HOT 400/30 MA MULTI
200x200 mm ≤ MARKAGE MB ≤ 1000x1600 mm	Horizontal refractory duct	Promatect LS ≥ 35 mm	Promat glue K84	EI 90/120* (v _{ed} i ↔ o) S1500 C10000 HOT 400/30 MA MULTI
200x200 mm ≤ MARKAGE MB ≤ 1000x1600 mm	Horizontal refractory duct	Promatect L500 ≥ 40 mm	Promat glue K84	EI 90/120* (v _{ed} i ↔ o) S1500 C10000 HOT 400/30 MA MULTI
200x200 mm ≤ MARKAGE MB ≤ 1000x1600 mm	Horizontal refractory duct	Promatect AD ≥ 40 mm	Promat glue K84	EI 90/120* (v _{ed} i ↔ o) S1500 C10000 HOT 400/30 MA MULTI
1000x1600 mm ≤ MARKAGE MB ≤ 1200x2400 mm	Horizontal refractory duct	Promatect LS ≥ 35 mm	Promat glue K84	EI 90/120* (v _{ed} i ↔ o) S1000 C10000 MA MULTI
1000x1600 mm ≤ MARKAGE MB ≤ 1200x2400 mm	Horizontal refractory duct	Promatect L500 ≥ 40 mm	Promat glue K84	EI 90/120* (v _{ed} i ↔ o) S1000 C10000 MA MULTI
1000x1600 mm ≤ MARKAGE MB ≤ 1200x2400 mm;	Horizontal refractory duct	Promatect AD ≥ 40 mm	Promat glue K84	EI 90/120* (v _{ed} i ↔ o) S1000 C10000 MA MULTI
1000x1600 mm ≤ MARKAGE MB ≤ 1200x2400 mm	Vertical refractory duct	Promatect LS ≥ 35 mm	Promat glue K84	EI 90/120* (v _{ed} i ↔ o) S1000 C10000 MA MULTI
1000x1600 mm ≤ MARKAGE MB ≤ 1200x2400 mm	Vertical refractory duct	Promatect L500 ≥ 40 mm	Promat glue K84	EI 90/120* (v _{ed} i ↔ o) S1000 C10000 MA MULTI
1000x1600 mm ≤ MARKAGE MB ≤ 1200x2400 mm	Vertical refractory duct	Promatect AD ≥ 40 mm	Promat glue K84	EI 90/120* (v _{ed} i ↔ o) S1000 C10000 MA MULTI

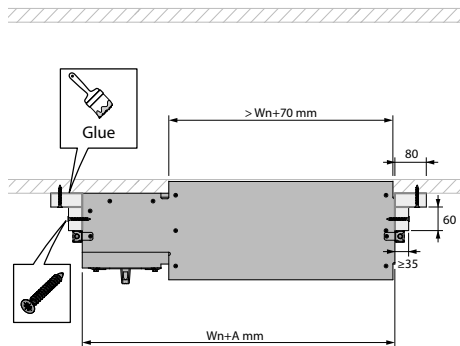
1


1. Make an opening with minimum dimensions (Wn+70) x (Hn+70) mm.

2


2. Optionally, the damper can be suspended separately with the vertical suspension (VS MAS).

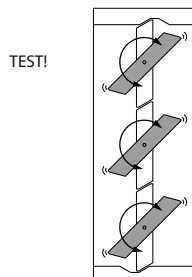
3



3. The damper can be mounted directly in this opening. Fit the damper in the opening with the access hatch accessible. Place the back wall of this compartment against the duct. Installation of the damper does not require a minimum duct depth. The product will not obstruct the airflow in the duct. A = 295 mm for a standard damper.

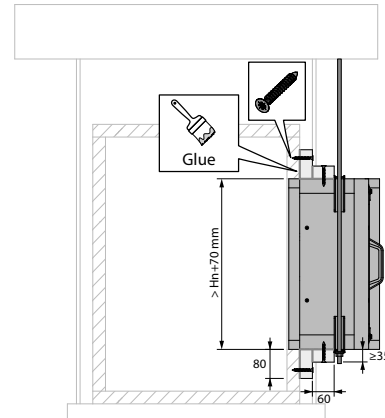
⚠ Caution: for a damper with height ≤ 400 mm and option BP FM or ZENiX 1SD, A = 465 mm.

5



5. Check the functioning of the damper blades after the curing time of the sealing and after removing the struts. Test the mechanism of the damper.

4

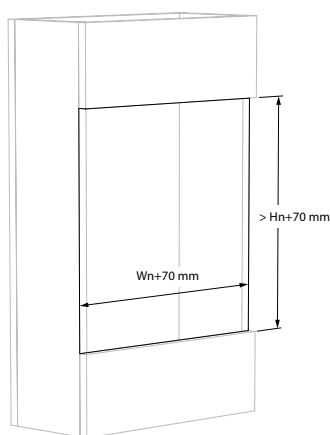


4. Seal the joint between the damper and the opening with Promat Glue K84. Install the positioning and sealing strips with screws $\varnothing 5 \times 50$ mm with a maximum spacing of 200 mm and Promat Glue K84. Make sure no screws penetrate the damper casing. Fabricate the positioning and sealing strips from duct material. For a corner seal, use two strips of 80 mm and 60 mm respectively.

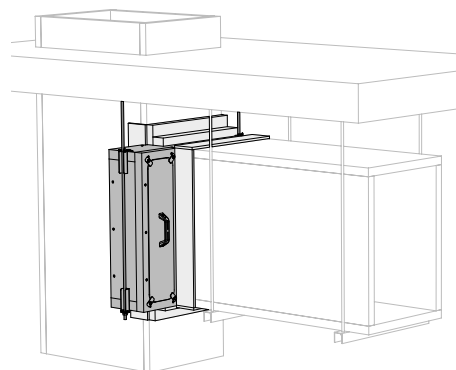
Installation in a vertical refractory duct, overlapping with one side of the duct

The product was tested and approved in:

Range	Wall type	Sealing	Classification	
200x200 mm ≤ MARKAGE MB ≤ 1000x1600 mm	Vertical refractory duct	Promatect LS ≥ 35 mm	Promat glue K84	EI 90/120* (v _{ed} i ↔ o) S1500 C10000 HOT 400/30 MA MULTI
200x200 mm ≤ MARKAGE MB ≤ 1000x1600 mm	Vertical refractory duct	Promatect L500 ≥ 40 mm	Promat glue K84	EI 90/120* (v _{ed} i ↔ o) S1500 C10000 HOT 400/30 MA MULTI
200x200 mm ≤ MARKAGE MB ≤ 1000x1600 mm	Vertical refractory duct	Promatect AD ≥ 40 mm	Promat glue K84	EI 90/120* (v _{ed} i ↔ o) S1500 C10000 HOT 400/30 MA MULTI
200x200 mm ≤ MARKAGE MB ≤ 1000x1600 mm	Horizontal refractory duct	Promatect LS ≥ 35 mm	Promat glue K84	EI 90/120* (v _{ed} i ↔ o) S1500 C10000 HOT 400/30 MA MULTI
200x200 mm ≤ MARKAGE MB ≤ 1000x1600 mm	Horizontal refractory duct	Promatect L500 ≥ 40 mm	Promat glue K84	EI 90/120* (v _{ed} i ↔ o) S1500 C10000 HOT 400/30 MA MULTI
200x200 mm ≤ MARKAGE MB ≤ 1000x1600 mm	Horizontal refractory duct	Promatect AD ≥ 40 mm	Promat glue K84	EI 90/120* (v _{ed} i ↔ o) S1500 C10000 HOT 400/30 MA MULTI
1000x1600 mm ≤ MARKAGE MB ≤ 1200x2400 mm	Horizontal refractory duct	Promatect LS ≥ 35 mm	Promat glue K84	EI 90/120* (v _{ed} i ↔ o) S1000 C10000 MA MULTI
1000x1600 mm ≤ MARKAGE MB ≤ 1200x2400 mm	Horizontal refractory duct	Promatect L500 ≥ 40 mm	Promat glue K84	EI 90/120* (v _{ed} i ↔ o) S1000 C10000 MA MULTI
1000x1600 mm ≤ MARKAGE MB ≤ 1200x2400 mm	Horizontal refractory duct	Promatect AD ≥ 40 mm	Promat glue K84	EI 90/120* (v _{ed} i ↔ o) S1000 C10000 MA MULTI
1000x1600 mm ≤ MARKAGE MB ≤ 1200x2400 mm	Vertical refractory duct	Promatect LS ≥ 35 mm	Promat glue K84	EI 90/120* (v _{ed} i ↔ o) S1000 C10000 MA MULTI
1000x1600 mm ≤ MARKAGE MB ≤ 1200x2400 mm	Vertical refractory duct	Promatect L500 ≥ 40 mm	Promat glue K84	EI 90/120* (v _{ed} i ↔ o) S1000 C10000 MA MULTI
1000x1600 mm ≤ MARKAGE MB ≤ 1200x2400 mm	Vertical refractory duct	Promatect AD ≥ 40 mm	Promat glue K84	EI 90/120* (v _{ed} i ↔ o) S1000 C10000 MA MULTI

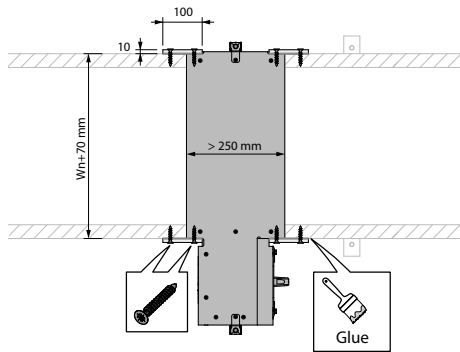
1


1. Make an opening with minimum dimensions (Wn+70) x (Hn+70) mm.
If the opening overlaps with an edge of the duct, follow the installation method below.

2


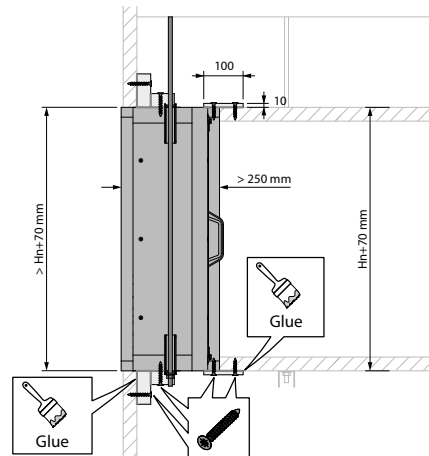
2. Optionally, the damper can be suspended separately with the vertical suspension (VS MAS).
The damper can be mounted directly in this opening.
Fit the damper in the opening with the access hatch accessible.
The back wall of the damper is placed against the duct if it does not extend outside the duct.
If the flanges of the damper coincide with an edge of the duct, make sure they are flush with the duct.
Installation of the damper does not require a minimum duct depth. The product will not obstruct the airflow in the duct.

3



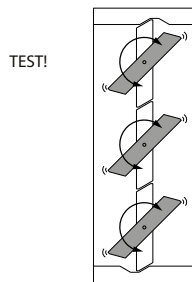
3. Seal the joint between the damper and the opening with Promat Glue K84. For flat sealing on the flange of the damper, use a strip 10 x 100 mm made from calcium silicate with a density of 870 kg/m³ (type PROMATECT H). Fasten these strips with two rows of screws \varnothing 3.9 x 35 mm at intervals of 150 mm.

4



4. Install the positioning and sealing strips with screws \varnothing 5 x 50 mm with a maximum spacing of 200 mm and Promat Glue K84. Make sure no screws penetrate the damper casing. Fabricate the positioning and sealing strips from duct material. For a corner seal, use two strips of 80 mm and 60 mm respectively.

5

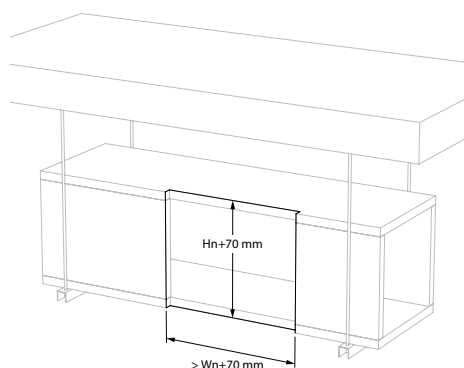


5. Check the functioning of the damper blades after the curing time of the sealing and after removing the struts. Test the mechanism of the damper.

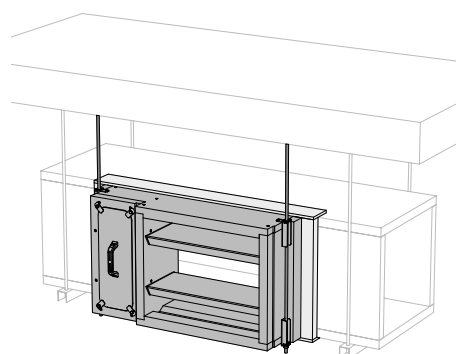
Installation in the vertical plane of a horizontal refractory duct, overlapping with one side of the duct

The product was tested and approved in:

Range	Wall type		Sealing	Classification
200x200 mm ≤ MARKAGE MB ≤ 1000x1600 mm	Vertical refractory duct	Promatect LS ≥ 35 mm	Promat glue K84	EI 90/120* (v _{ed,i} ↔ o) S1500 C10000 HOT 400/30 MA MULTI
200x200 mm ≤ MARKAGE MB ≤ 1000x1600 mm	Vertical refractory duct	Promatect L500 ≥ 40 mm	Promat glue K84	EI 90/120* (v _{ed,i} ↔ o) S1500 C10000 HOT 400/30 MA MULTI
200x200 mm ≤ MARKAGE MB ≤ 1000x1600 mm	Vertical refractory duct	Promatect AD ≥ 40 mm	Promat glue K84	EI 90/120* (v _{ed,i} ↔ o) S1500 C10000 HOT 400/30 MA MULTI
200x200 mm ≤ MARKAGE MB ≤ 1000x1600 mm	Horizontal refractory duct	Promatect LS ≥ 35 mm	Promat glue K84	EI 90/120* (v _{ed,i} ↔ o) S1500 C10000 HOT 400/30 MA MULTI
200x200 mm ≤ MARKAGE MB ≤ 1000x1600 mm	Horizontal refractory duct	Promatect L500 ≥ 40 mm	Promat glue K84	EI 90/120* (v _{ed,i} ↔ o) S1500 C10000 HOT 400/30 MA MULTI
200x200 mm ≤ MARKAGE MB ≤ 1000x1600 mm	Horizontal refractory duct	Promatect AD ≥ 40 mm	Promat glue K84	EI 90/120* (v _{ed,i} ↔ o) S1500 C10000 HOT 400/30 MA MULTI
1000x1600 mm ≤ MARKAGE MB ≤ 1200x2400 mm	Horizontal refractory duct	Promatect LS ≥ 35 mm	Promat glue K84	EI 90/120* (v _{ed,i} ↔ o) S1000 C10000 MA MULTI
1000x1600 mm ≤ MARKAGE MB ≤ 1200x2400 mm	Horizontal refractory duct	Promatect L500 ≥ 40 mm	Promat glue K84	EI 90/120* (v _{ed,i} ↔ o) S1000 C10000 MA MULTI
1000x1600 mm ≤ MARKAGE MB ≤ 1200x2400 mm;	Horizontal refractory duct	Promatect AD ≥ 40 mm	Promat glue K84	EI 90/120* (v _{ed,i} ↔ o) S1000 C10000 MA MULTI
1000x1600 mm ≤ MARKAGE MB ≤ 1200x2400 mm	Vertical refractory duct	Promatect LS ≥ 35 mm	Promat glue K84	EI 90/120* (v _{ed,i} ↔ o) S1000 C10000 MA MULTI
1000x1600 mm ≤ MARKAGE MB ≤ 1200x2400 mm	Vertical refractory duct	Promatect L500 ≥ 40 mm	Promat glue K84	EI 90/120* (v _{ed,i} ↔ o) S1000 C10000 MA MULTI
1000x1600 mm ≤ MARKAGE MB ≤ 1200x2400 mm	Vertical refractory duct	Promatect AD ≥ 40 mm	Promat glue K84	EI 90/120* (v _{ed,i} ↔ o) S1000 C10000 MA MULTI

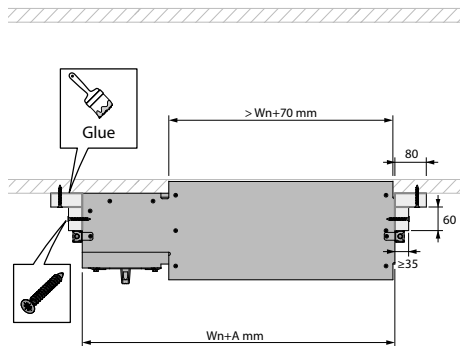
1


1. Make an opening with minimum dimensions (Wn+70) x (Hn+70) mm.
If the opening overlaps with an edge of the duct, follow the installation method below.

2


2. Optionally, the damper can be suspended separately with the vertical suspension (VS MAS).
The damper can be mounted directly in this opening.
Fit the damper in the opening with the access hatch accessible.
The back wall of the damper is placed against the duct if it does not extend outside the duct.
If the flanges of the damper coincide with an edge of the duct, make sure they are flush with the duct.
Installation of the damper does not require a minimum duct depth. The product will not obstruct the airflow in the duct.

3



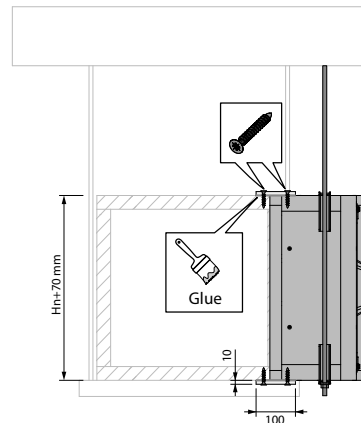
3. Seal the joint between the damper and the opening with Promat Glue K84. Install the positioning and sealing strips with screws $\varnothing 5 \times 50$ mm with a maximum spacing of 200 mm and Promat Glue K84. Make sure no screws penetrate the damper casing.

Fabricate the positioning and sealing strips from duct material. For a corner seal, use two strips of 80 mm and 60 mm respectively.

$A = 295$ mm for a standard damper.

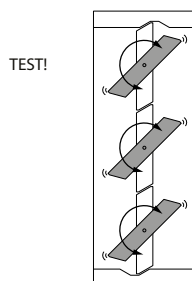
⚠ Caution: for a damper with height ≤ 400 mm and option BP FM or ZENiX 1SD, $A = 465$ mm.

4



4. For flat sealing on the flange of the damper, use a strip 10×100 mm made from calcium silicate with a density of 870 kg/m^3 (type PROMATECT H). Fasten these bars strips two rows of screws $\varnothing 3.9 \times 35$ mm at intervals of 150 mm.

5

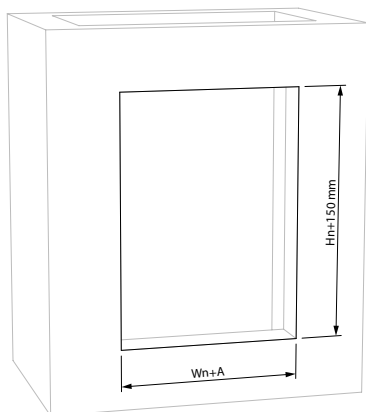


5. Check the functioning of the damper blades after the curing time of the sealing and after removing the struts. Test the mechanism of the damper.

Installation in shaft wall, sealing with mortar

The product was tested and approved in:

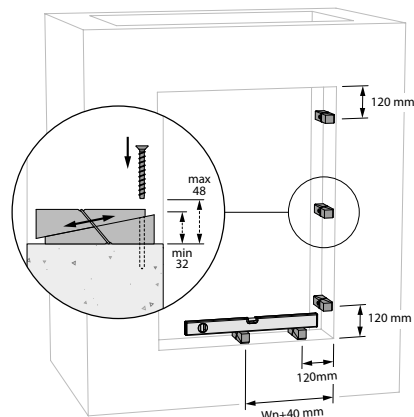
1



1. Make an opening with dimensions $(Wn+A) \times (Hn+70)$ mm.
 $A = 295$ mm for a standard valve.

⚠ Attention: for a valve ≤ 400 mm high and with option BP FM or ZENiX 1SD, $A = 465$ mm.

2



2. Optionally, the valve can be placed in the centre of the opening using the KITS SUPP.
 Place elements of the KITS SUPP in the opening at the indicated distances. Attach each element by gluing or screwing it in the reveal.

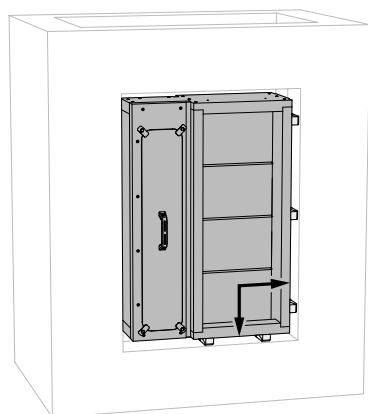
Attention: ensure that both wedges of each KITS SUPP element remain moveable relative to each other.

Use a water level for placement of the valve. The height can be adjusted by moving each element of the KITS SUPP.

Set up a straight angle by aligning the elements of the KITS SUPP with the vertical reveal.

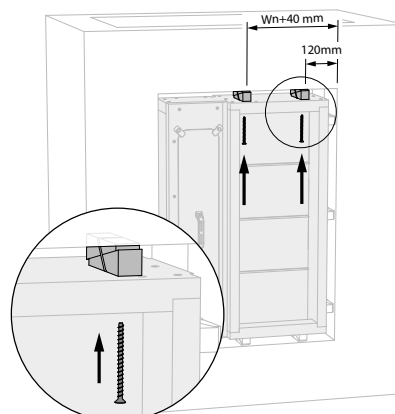
⚠ Attention: the elements of the KITS SUPP are not found in the actuator compartment of the valve.

3



3. Place the valve in the opening. Align the valve with the elements of the KITS SUPP if present.

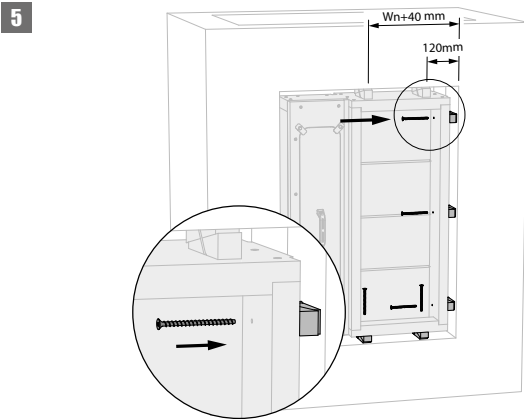
4



4. Add elements of the KITS SUPP to the remaining side at the indicated distances. Eliminate the slack between the wall and the valve by moving both wedges of each KITS SUPP element relative to each other.

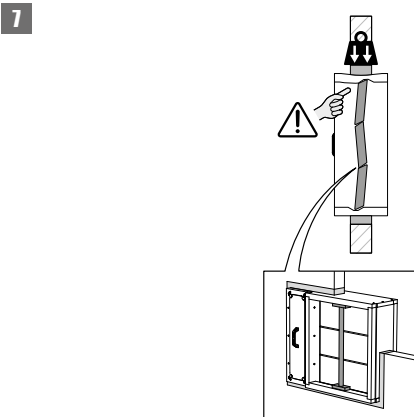
Optionally, anchor the valve inside the wall using a suitable screw type for that wall type. Drill through both the tunnel wall and the elements of the KITS SUPP.

⚠ Attention: Make sure no screws protrude that may hinder the rotation of the valve blades. When placing the screws, mind the rotational direction of the valve blades if possible.

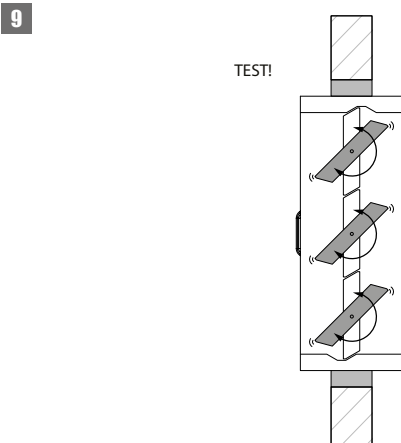


5. Drill through both the tunnel wall and the elements of the KITS SUPP to place any additional anchoring. Ensure that any slack between the tunnel wall and the reveal is completely filled by the elements of the KITS SUPP.

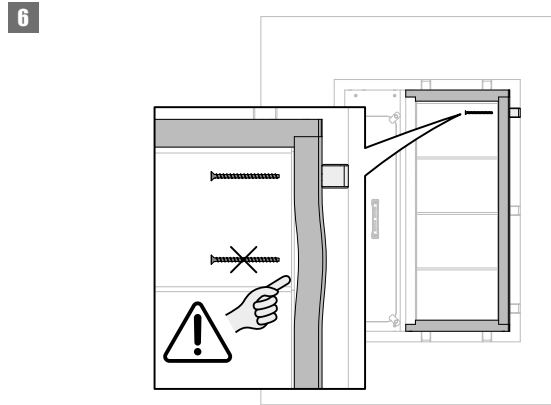
⚠ Attention: Make sure no screws protrude that may hinder the rotation of the valve blades. When placing the screws, mind the rotational direction of the valve blades if possible.



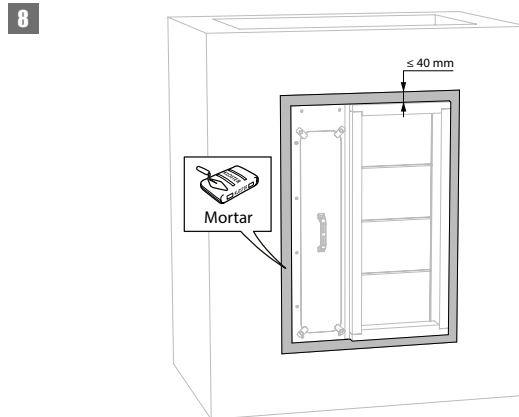
7. Support the tunnel and block the damper blades in the closed position to prevent deformation of the tunnel while the sealing is curing.



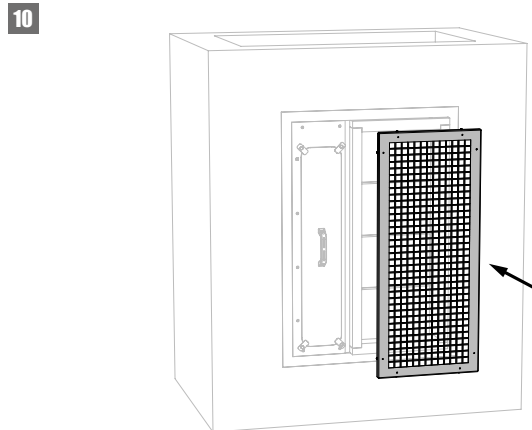
9. Check the functioning of the damper blades after the curing time of the sealing and after removing the struts. Test the mechanism of the damper.



⚠ 6. Attention: Anchoring of the valve without KITS SUPP may seriously damage the product. If anchor screws are tightened without support at the joint level, the tunnel wall may deform and break.



8. Seal the rest of the opening with standard mortar.

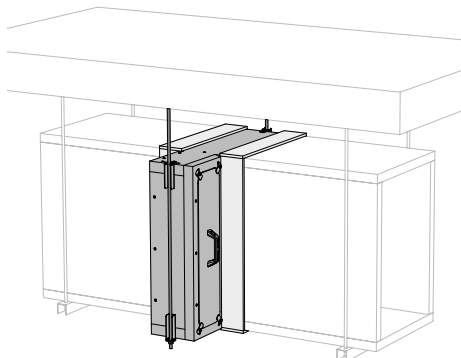


10. Finish the installation. Place a grille to prevent direct contact with the valve blades.

Installation in a refractory duct, in the cross-section of the duct

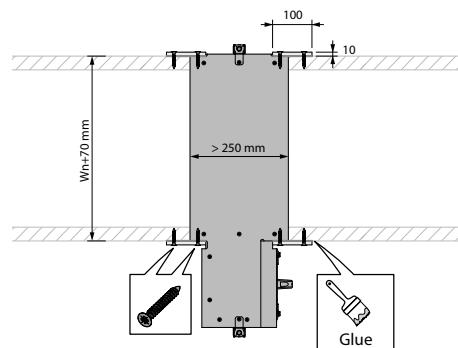
The product was tested and approved in:

1



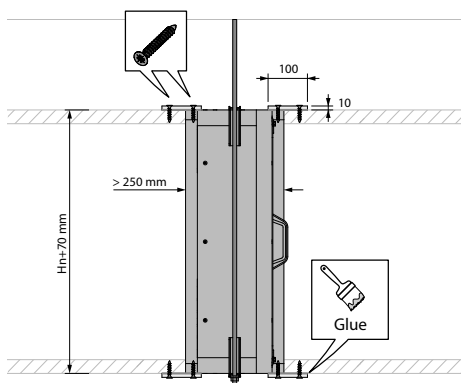
1. Place the damper in the middle of the duct with external dimensions $(W_n + 70) \times (H_n + 70)$ mm. The damper can be suspended separately with the vertical suspension (VS MAS). Analogously, the horizontal suspension (HS MAS) can be used with a vertical duct.

2



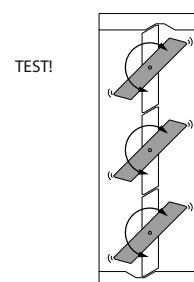
2. Seal the joint between the damper and the opening with Promat Glue K84. For flat sealing on the flange of the damper, use a strip 10×100 mm made from calcium silicate with a density of 870 kg/m^3 (type PROMATECT H). Fasten these strips with two rows of screws $\text{Ø } 3.9 \times 35$ mm at intervals of 150 mm.

3



3. Finish the sealing completely.

4

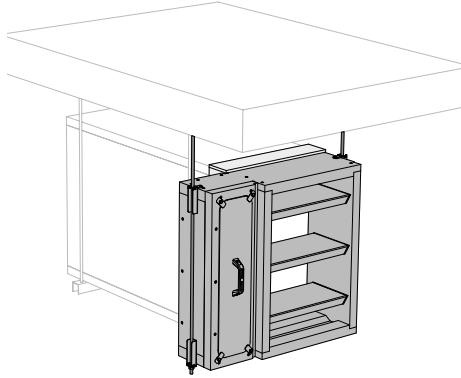


4. Check the functioning of the damper blades after the curing time of the sealing and after removing the struts. Test the mechanism of the damper.

Installation in a refractory duct, at the end of the duct

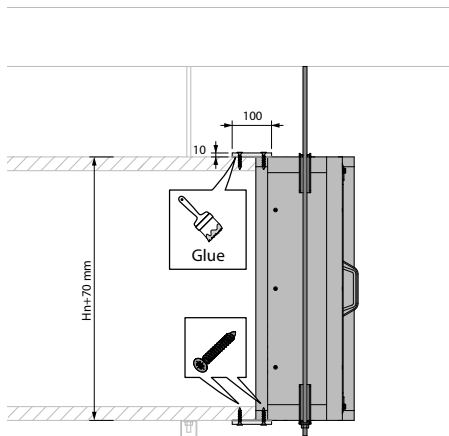
The product was tested and approved in:

1



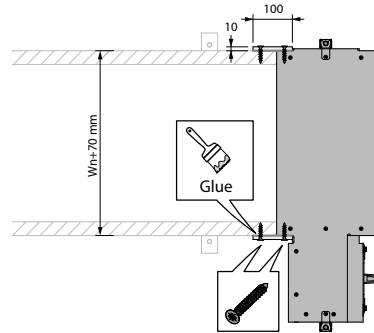
1. Place the damper in the middle of the duct with external dimensions $(W_n + 70) \times (H_n + 70)$ mm. The damper can be suspended separately with the vertical suspension (VS MAS). Analogously, the horizontal suspension (HS MAS) can be used with a vertical duct.

3



3. Finish the sealing completely.

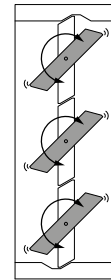
2



2. Seal the joint between the damper and the opening with Promat Glue K84. For flat sealing on the flange of the damper, use a strip 10×100 mm made from calcium silicate with a density of 870 kg/m^3 (type PROMATECT H). Fasten these strips with two rows of screws $\text{Ø } 3.9 \times 35$ mm at intervals of 150 mm.

4

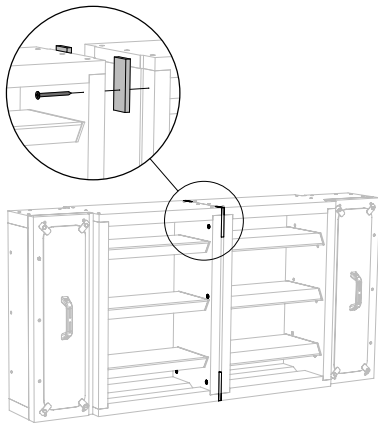
TEST!



4. Check the functioning of the damper blades after the curing time of the sealing and after removing the struts. Test the mechanism of the damper. Place a grille (PPT) on the damper to protect the damper blades.

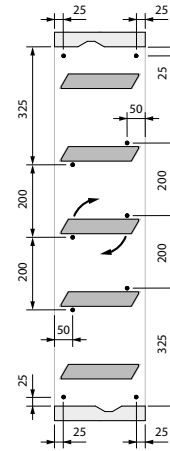
Battery mounting with option JK BAT

1



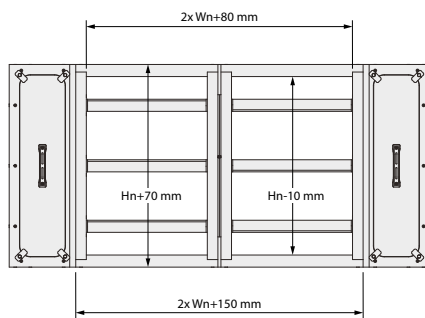
1. For battery mounting with the damper blades in line with each other:
Install both dampers against one another with the connection compartments on opposite sides.
Install the calcium silicate plates at the end of each groove between both dampers. Make sure the plates are flush with the damper connection flanges.

2



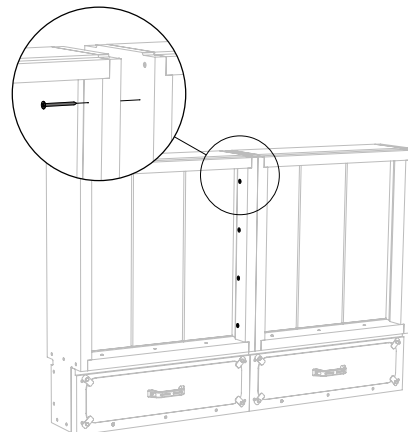
2. Attach one damper to the other with the supplied screws $\varnothing 5 \times 70$ mm. Pay attention to the rotation direction of the damper blades and ensure that the screws do not interfere with the damper blades.

3



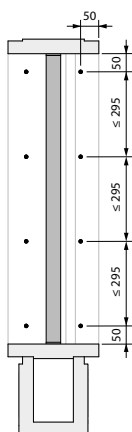
3. The collar with external dimensions ($2 \times W_n$ + 150) mm x ($H_n + 70$) mm is suitable for connecting a common duct.

4



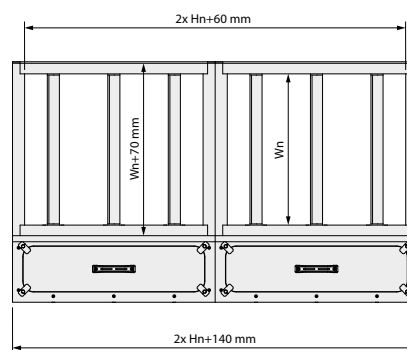
4. For battery mounting with the connection compartments in line with each other:
Install both dampers against one another with the connection compartments aligned.

5



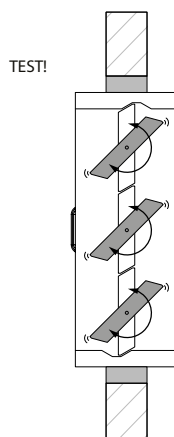
5. Attach one damper to the other with the supplied screws \varnothing 5 x 70 mm on both the front and back of the dampers.

6



6. The collar with external dimensions $((2 \times W_n) + 140)$ mm x $(H_n + 70)$ mm is suitable for connecting a common duct.

7



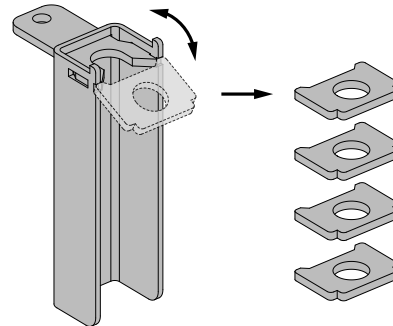
7. Check the functioning of the damper blades after the curing time of the sealing and after removing the struts. Test the mechanism of the damper.

Installation with vertical suspension (VS MAS)

1

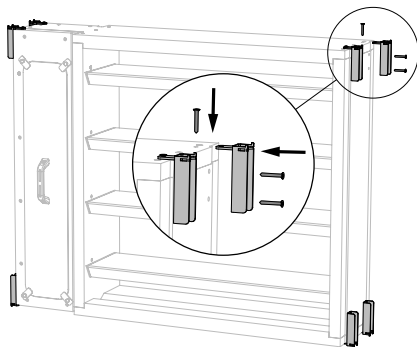


2



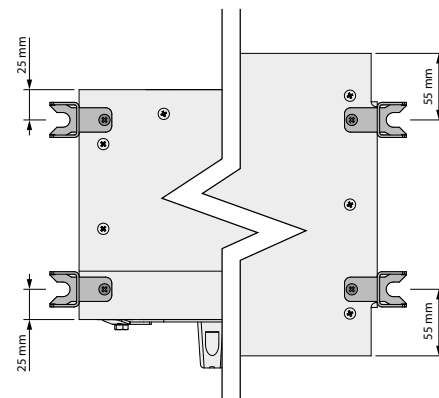
2. Break off the tabs of the angle brackets and save them for further installation.

3



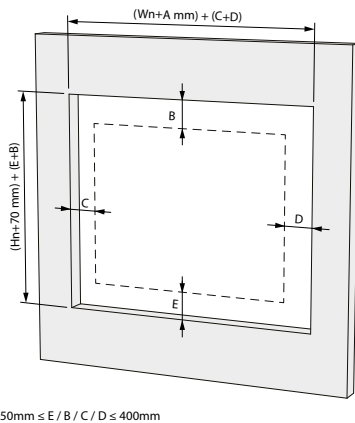
3. Fit the angle brackets on the corners of the damper. The orientation depends on the desired orientation of the damper (vertical or horizontal damper blades). Align the U-profiles of the angle brackets with one another and note the vertical direction. The short side of each angle bracket, with one screw, should be on the top or bottom of the damper.

4



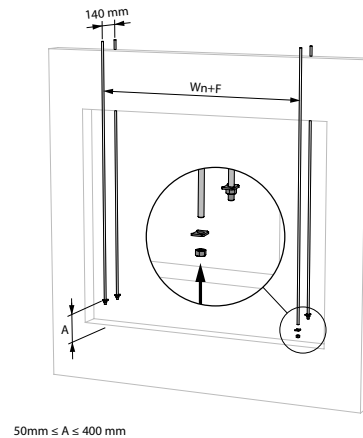
4. Attach the angle brackets with the supplied screws \varnothing 5x35 mm. The screws near the connection compartment are 25 mm from the edge, while screws in the tunnel wall are 55 mm from the edge.

5



5. Position the damper in the opening of the wall according to the guidelines for each wall type.

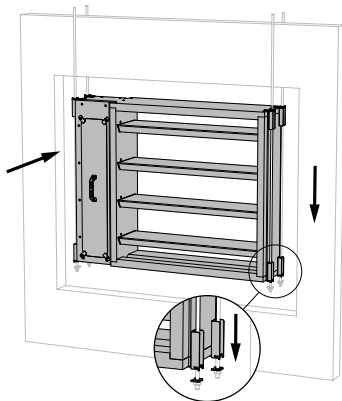
6



6. Fit the threaded rods ($\geq M10$) for damper suspension on the front and back of the wall, with $F = 320$ mm for a standard damper.

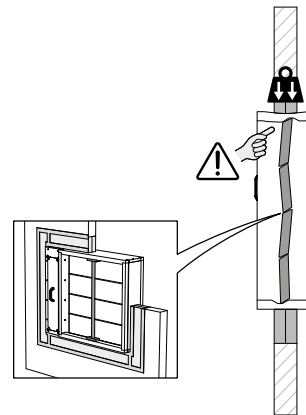
⚠ Caution: for a damper with height ≤ 400 mm and option BP FM or ZENiX 1SD, $F = 490$ mm. Put a tab and a nut on each threaded rod. Align all tabs at the same height.

7



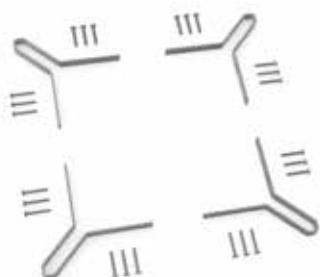
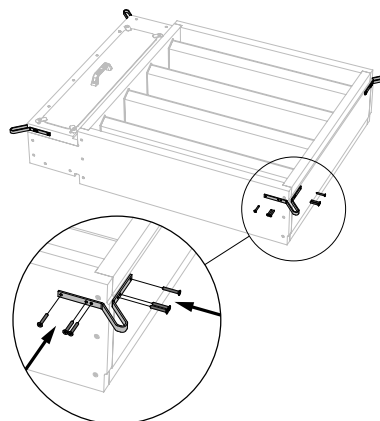
7. Place the damper on the tabs. The threaded rods must be inside the U profiles of the angle brackets. Make sure to secure the tabs to the bottom angle brackets. When passing through the compartment wall, the suspension must not be insulated. When installed in ducts, the suspension must be insulated in the same way as the suspension of the duct.

8

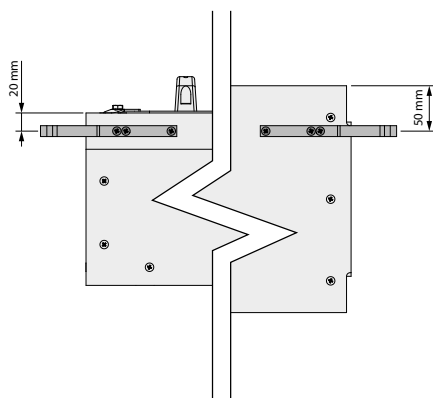


8. Support the tunnel and block the damper blades in the closed position to prevent deformation of the tunnel while the sealing is curing. Complete the sealing of the damper according to the guidelines per wall type.

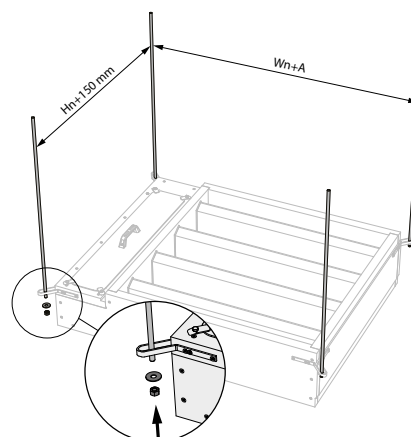
Installation with horizontal suspension (HS MAS)

1

2


2. Fit the angle brackets on the corners of the damper.

3


3. Attach the angle brackets with the supplied screws \varnothing 5x35 mm. The screws near the connection compartment are 20 mm from the edge, while screws in the tunnel wall are 50 mm from the edge.

4


4. Fit the threaded rods (\geq M10) for damper suspension, with $A = 375$ mm for a standard damper.

⚠ Caution: for a damper with height ≤ 400 mm and option BP FM or ZENiX 1SD, $A = 545$ mm. Position the damper and place a tab and a nut on each threaded rod for fastening. Complete the sealing of the damper according to the guidelines per wall type.

Maintenance

- No specific maintenance required.
- Schedule at least 2 visual checks each year.
- Remove dust and all other particles before use.
- Follow local maintenance regulations (i.e. BS9999 Annex V; NF S 61-933) and EN13306.

Operation and mechanisms



BEN/BEE Remotely controlled servomotor

The BEN/BEE servomotor is specifically designed for remote control of smoke control dampers.

1. access for manual operation



Options - at the time of order

BP FM	Base plate or space for a bus communication module
ZENIX 1SD	Field device for monitoring and controlling 1 motorized smoke control damper

Unlocking

- **manual unlocking:** turn the enclosed handle anticlockwise (VRE) or clockwise (MARKAGE MB).
- **remote unlocking:** power cables 1 and 2.

Caution:

⚠ Do not use a drill or powered screwdriver.

Resetting

- **manual resetting:** turn the enclosed handle clockwise (VRE) or anticlockwise (MARKAGE MB).
- **motorised resetting:** power cables 1 and 3.

Caution:

⚠ Do not use a drill or powered screwdriver.



BE (MAS) Remotely controlled servomotor

The BE actuator is specifically designed for remote control of MARKAGE MB smoke control dampers with large dimensions ($H_n \geq 1200$ mm).

1. access for manual resetting
2. plug (ST)



Options - at the time of order

BP FM	Base plate or space for a bus communication module
ZENIX 1SD	Field device for monitoring and controlling 1 motorized smoke control damper

Unlocking

- **manual unlocking:** turn the enclosed handle anti-clockwise.
- **automatic unlocking:** n/a
- **remote unlocking:** power cables 1 and 2.

Caution:

⚠ Do not use a drill or powered screwdriver.

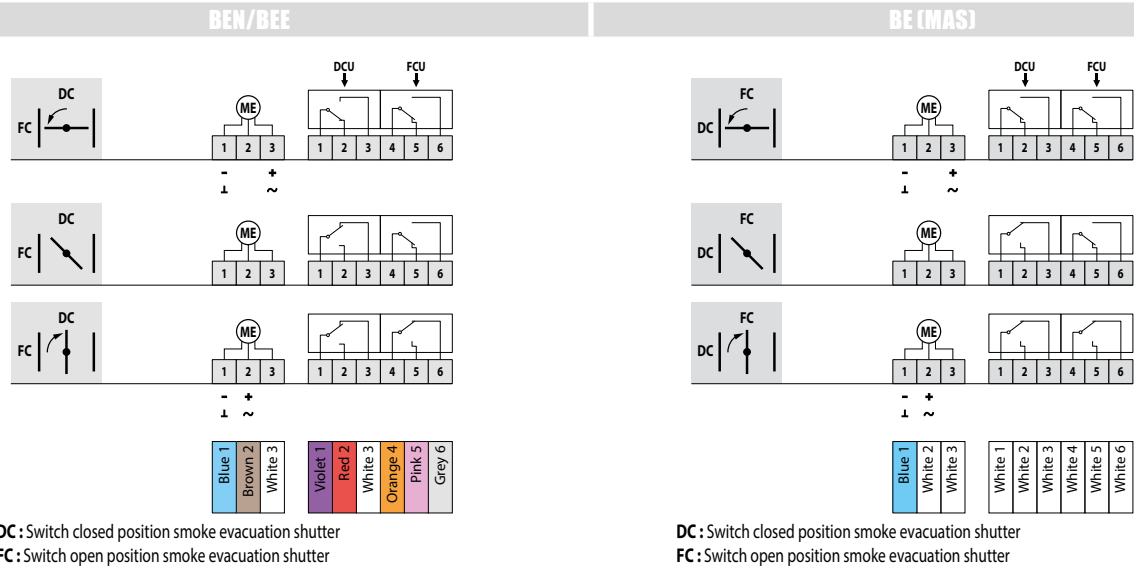
Resetting

- **manual resetting:** turn the enclosed handle clockwise.
- **motorised resetting:** power cables 1 and 3.

Caution:

⚠ Do not use a drill or powered screwdriver.

Electrical connection



MEC	Nominal voltage motor	Nominal voltage magnet	Power consumption (stand-by)	Power consumption (operating)	Standard switches
BEN24	24 V AC/DC		0,1W	3W	1mA...3A, AC 250V
BEN230	230 V AC		0,4W	4W	1mA...3A, AC 250V
BEN24-ST	24 V AC/DC		0,1W	3W	1mA...3A, AC 250V
BEE24	24 V AC/DC		0,1W	2,5W	1mA...3A, AC 250V
BEE230	230 V AC		0,4W	3,5W	1mA...3A, AC 250V
BEE24-ST	24 V AC/DC		0,1W	2,5W	1mA...3A, AC 250V
BE24	24 V AC/DC	N/A	0,5W	12W	1mA...6A, DC 5V...AC 250V
BE230	230 V AC	N/A	0,5W	8W	1mA...6A, DC 5V...AC 250V
BE24-ST	24 V AC/DC	N/A	0,5W	12W	1mA...6A, DC 5V...AC 250V
BE24 + BEE24	24 V AC/DC	N/A	0,5W	12W	1mA...6A, DC 5V...AC 250V
BE230 + BEE230	230 V AC	N/A	0,5W	8W	1mA...6A, DC 5V...AC 250V
BEE24 + BEE24	24 V AC/DC	N/A	0,5W	12W	1mA...6A, DC 5V...AC 250V
BEE230 + BEE230	230 V AC	N/A	0,5W	8W	1mA...6A, DC 5V...AC 250V
BE24 + BEN24	24 V AC/DC	N/A	0,5W	12W	1mA...6A, DC 5V...AC 250V
BE230 + BEN230	230 V AC	N/A	0,5W	8W	1mA...6A, DC 5V...AC 250V

MARKAGE MB + BEE + BEE

Hn\Wn [mm]		200	250	300	350	400	450	500	550	600	650	700	750	800	850	900	950	1000	1050	1100	1150	1200	
200	kg	-	-	-	-	-	-	-	-	-	-	-	-	-	-	-	-	-	-	-	-	-	-
400	kg	-	-	-	-	-	-	-	-	-	-	-	-	-	-	-	-	-	-	-	-	-	-
600	kg	-	-	-	-	-	-	-	-	-	-	-	-	-	-	-	-	-	-	-	-	-	-
800	kg	-	-	-	-	-	-	-	-	-	-	-	-	-	-	-	-	-	-	-	-	-	-
1000	kg	-	-	-	-	-	-	-	-	-	-	-	-	-	-	-	-	-	-	-	-	-	-
1200	kg	-	-	-	-	-	-	-	-	-	-	-	-	-	-	-	-	-	-	-	-	-	-
1400	kg	-	-	-	-	-	-	-	-	-	-	-	-	-	-	-	-	-	-	-	-	-	-
1600	kg	-	-	-	-	-	-	-	-	-	-	-	-	-	-	-	-	-	-	-	-	-	-
1800	kg	-	-	-	-	81,50	84,44	87,37	90,31	93,25	96,19	99,13	102,07	105,00	107,94	110,88	113,86	116,58	117,58	120,51	123,44	126,37	
2000	kg	-	-	-	-	89,12	92,33	95,54	98,74	101,95	105,15	108,36	111,56	114,77	117,97	121,18	124,43	127,59	128,86	132,07	135,28	138,48	
2200	kg	-	-	-	-	-	-	-	-	-	-	-	-	-	-	-	-	-	-	-	-	-	-
2400	kg	-	-	-	-	-	-	-	-	-	-	-	-	-	-	-	-	-	-	-	-	-	-

MARKAGE MB + BE + BEN

Hn\Wn [mm]		200	250	300	350	400	450	500	550	600	650	700	750	800	850	900	950	1000	1050	1100	1150	1200	
200	kg	-	-	-	-	-	-	-	-	-	-	-	-	-	-	-	-	-	-	-	-	-	-
400	kg	-	-	-	-	-	-	-	-	-	-	-	-	-	-	-	-	-	-	-	-	-	-
600	kg	-	-	-	-	-	-	-	-	-	-	-	-	-	-	-	-	-	-	-	-	-	-
800	kg	-	-	-	-	-	-	-	-	-	-	-	-	-	-	-	-	-	-	-	-	-	-
1000	kg	-	-	-	-	-	-	-	-	-	-	-	-	-	-	-	-	-	-	-	-	-	-
1200	kg	-	-	-	-	-	-	-	-	-	-	-	-	-	-	-	-	-	-	-	-	-	-
1400	kg	-	-	-	-	-	-	-	-	-	-	-	-	-	-	-	-	-	-	-	-	-	-
1600	kg	-	-	-	-	-	-	-	-	-	-	-	-	-	-	-	-	-	-	-	-	-	-
1800	kg	-	-	-	-	-	-	-	-	-	-	-	-	-	-	-	-	-	-	-	-	-	-
2000	kg	-	-	-	-	-	-	-	-	-	-	-	-	-	-	-	-	-	-	-	-	-	-
2200	kg	-	-	-	-	99,10	102,56	106,03	109,49	112,96	116,42	119,89	123,35	126,82	130,28	133,75	137,21	140,68	144,14	147,61	151,07	154,54	
2400	kg	-	-	-	-	-	-	-	-	-	-	-	-	-	-	-	-	-	-	-	-	-	-

MARKAGE MB + BE + BEE

Hn\Wn [mm]		200	250	300	350	400	450	500	550	600	650	700	750	800	850	900	950	1000	1050	1100	1150	1200	
200	kg	-	-	-	-	-	-	-	-	-	-	-	-	-	-	-	-	-	-	-	-	-	-
400	kg	-	-	-	-	-	-	-	-	-	-	-	-	-	-	-	-	-	-	-	-	-	-
600	kg	-	-	-	-	-	-	-	-	-	-	-	-	-	-	-	-	-	-	-	-	-	-
800	kg	-	-	-	-	-	-	-	-	-	-	-	-	-	-	-	-	-	-	-	-	-	-
1000	kg	-	-	-	-	-	-	-	-	-	-	-	-	-	-	-	-	-	-	-	-	-	-
1200	kg	-	-	-	-	-	-	-	-	-	-	-	-	-	-	-	-	-	-	-	-	-	-
1400	kg	-	-	-	-	-	-	-	-	-	-	-	-	-	-	-	-	-	-	-	-	-	-
1600	kg	-	-	-	-	-	-	-	-	-	-	-	-	-	-	-	-	-	-	-	-	-	-
1800	kg	-	-	-	-	-	-	-	-	-	-	-	-	-	-	-	-	-	-	-	-	-	-
2000	kg	-	-	-	-	-	-	-	-	-	-	-	-	-	-	-	-	-	-	-	-	-	-
2200	kg	-	-	-	-	-	-	-	-	-	-	-	-	-	-	-	-	-	-	-	-	-	-
2400	kg	-	-	-	-	107,31	111,04	114,76	118,49	122,21	125,94	129,66	133,39	137,11	140,83	144,56	148,28	152,01	155,73	159,46	163,18	166,91	

MARKAGE MB + BP FM + BEN

Other dimensions Markage MB + BP FM = Markage MB + 0.4kg.

Hn\Wn (mm)	200	250	300	350	400	450	500	550	600	650	700	750	800	850	900	950	1000	1050	1100	1150	1200
200 kg	16,66	15,84	16,95	18,07	19,18	20,30	21,41	22,53	23,64	24,76	25,87	26,98	28,10	29,21	30,33	31,44	32,56	33,67	34,79	35,90	37,01
400 kg	25,11	21,11	22,22	23,34	24,45	25,57	26,68	27,80	28,91	30,03	31,14	32,26	33,37	34,48	35,60	36,71	37,83	38,94	40,06	41,17	42,29

MARKAGE MB-1S + BEN

Hn\Wn (mm)	200	250	300	350	400	450	500	550	600	650	700	750	800	850	900	950	1000
200 kg	18,10	19,14	20,19	21,24	22,28	23,33	24,45	25,49	26,54	27,59	28,63	29,67	30,72	31,77	32,81	33,86	34,91
400 kg	25,67	26,98	28,28	29,59	30,90	32,20	33,58	34,88	36,19	37,50	38,80	40,10	41,41	42,72	44,02	45,33	46,63
600 kg	33,18	34,74	36,31	37,87	39,44	41,00	42,64	44,20	45,77	47,34	48,90	50,46	52,03	53,59	55,16	56,72	58,36
800 kg	-	-	-	-	-	-	-	-	-	-	-	-	-	-	-	-	-
1000 kg	-	-	-	-	-	-	-	-	-	-	-	-	-	-	-	-	-
1200 kg	-	-	-	-	-	-	-	-	-	-	-	-	-	-	-	-	-
1400 kg	-	-	-	-	-	-	-	-	-	-	-	-	-	-	-	-	-
1600 kg	-	-	-	-	-	-	-	-	-	-	-	-	-	-	-	-	-

MARKAGE MB-1S + BEE

Hn\Wn (mm)	200	250	300	350	400	450	500	550	600	650	700	750	800	850	900	950	1000
200 kg	-	-	-	-	-	-	-	-	-	-	-	-	-	-	-	-	-
400 kg	-	-	-	-	-	-	-	-	-	-	-	-	-	-	-	-	-
600 kg	-	-	-	-	-	-	-	-	-	-	-	-	-	-	-	-	-
800 kg	41,39	43,22	45,04	46,87	48,70	50,52	52,42	54,24	56,07	57,89	59,71	61,53	63,36	65,19	67,01	68,84	70,66
1000 kg	48,73	50,82	52,90	54,99	57,07	59,16	61,31	63,40	65,48	67,57	69,65	71,73	73,81	75,90	77,98	80,07	82,15
1200 kg	-	-	-	-	-	-	-	-	-	-	-	-	-	-	-	-	-
1400 kg	-	-	-	-	-	-	-	-	-	-	-	-	-	-	-	-	-
1600 kg	-	-	-	-	-	-	-	-	-	-	-	-	-	-	-	-	-

MARKAGE MB-1S + BE

Hn\Wn (mm)	200	250	300	350	400	450	500	550	600	650	700	750	800	850	900	950	1000
200 kg	-	-	-	-	-	-	-	-	-	-	-	-	-	-	-	-	-
400 kg	-	-	-	-	-	-	-	-	-	-	-	-	-	-	-	-	-
600 kg	-	-	-	-	-	-	-	-	-	-	-	-	-	-	-	-	-
800 kg	-	-	-	-	-	-	-	-	-	-	-	-	-	-	-	-	-
1000 kg	-	-	-	-	-	-	-	-	-	-	-	-	-	-	-	-	-
1200 kg	58,41	60,75	63,09	65,44	67,78	70,13	72,54	74,88	77,23	79,57	81,91	84,26	86,60	88,94	91,29	93,63	95,98
1400 kg	66,00	68,60	71,21	73,81	76,42	79,02	81,69	84,30	86,90	89,50	92,10	94,71	97,31	99,91	102,52	105,12	107,72
1600 kg	73,93	76,79	79,65	82,52	85,38	88,24	91,18	94,04	96,90	99,77	102,62	105,49	108,35	111,21	114,08	116,94	119,80

MARKAGE MB-1S + BP FM + BEN

Other dimensions Markage M-1SB + BP FM = Markage MB-1S + 0.4kg.

Hn\Wn (mm)	200	250	300	350	400	450	500	550	600	650	700	750	800	850	900	950	1000
200 kg	33,98	35,88	37,78	39,69	41,59	43,49	45,46	47,36	49,26	51,16	53,06	54,96	56,86	58,77	60,67	62,57	64,47
400 kg	50,00	52,42	54,84	57,26	59,68	62,11	64,60	67,02	69,44	71,86	74,27	76,69	79,11	81,53	83,96	86,37	88,80

Selection graphs

$$\Delta p = 0,6 * v^2 * \zeta$$

Hn\Wn [mm]		200	250	300	350	400	450	500	550	600	650	700	750	800	850	900	950	1000	1050	1100	1150	1200	
200	ζ [-]	0,48	0,47	0,46	0,45	0,44	0,43	0,42	0,41	0,40	0,40	0,40	0,40	0,40	0,40	0,39	0,39	0,39	0,39	0,39	0,39	0,39	0,39
400	ζ [-]	0,37	0,36	0,34	0,33	0,32	0,31	0,30	0,29	0,28	0,28	0,28	0,28	0,27	0,27	0,27	0,27	0,27	0,27	0,27	0,27	0,27	0,27
600	ζ [-]	0,33	0,32	0,31	0,30	0,29	0,28	0,27	0,26	0,25	0,25	0,25	0,25	0,25	0,25	0,25	0,25	0,25	0,25	0,24	0,24	0,24	0,24
800	ζ [-]	0,32	0,31	0,30	0,29	0,28	0,27	0,26	0,25	0,23	0,23	0,23	0,23	0,23	0,23	0,22	0,22	0,22	0,22	0,22	0,22	0,22	0,22
1000	ζ [-]	0,31	0,30	0,29	0,29	0,27	0,26	0,25	0,24	0,23	0,22	0,22	0,22	0,22	0,22	0,22	0,21	0,21	0,21	0,21	0,21	0,21	0,21
1200	ζ [-]	0,30	0,29	0,29	0,28	0,27	0,26	0,25	0,23	0,22	0,22	0,21	0,21	0,21	0,21	0,21	0,21	0,21	0,21	0,20	0,20	0,20	0,20
1400	ζ [-]	0,30	0,29	0,29	0,28	0,27	0,26	0,24	0,23	0,22	0,22	0,21	0,21	0,21	0,21	0,21	0,21	0,21	0,20	0,20	0,20	0,20	0,20
1600	ζ [-]	0,29	0,30	0,30	0,28	0,30	0,30	0,20	0,20	0,21	0,20	0,20	0,20	0,20	0,20	0,20	0,20	0,20	0,20	0,19	0,19	0,19	0,19
1800	ζ [-]	-	-	-	-	0,26	0,25	0,24	0,22	0,21	0,21	0,21	0,20	0,20	0,20	0,20	0,20	0,19	0,19	0,19	0,19	0,19	0,19
2000	ζ [-]	-	-	-	-	0,26	0,25	0,24	0,22	0,21	0,21	0,21	0,20	0,20	0,20	0,20	0,19	0,19	0,19	0,19	0,19	0,19	0,19
2200	ζ [-]	-	-	-	-	0,26	0,25	0,24	0,22	0,21	0,21	0,20	0,20	0,20	0,20	0,20	0,19	0,19	0,19	0,19	0,19	0,19	0,19
2400	ζ [-]	-	-	-	-	0,26	0,25	0,23	0,22	0,21	0,21	0,20	0,20	0,20	0,20	0,19	0,19	0,19	0,19	0,19	0,19	0,19	0,19

Free air passage (m²)

Hn\Wn [mm]		200	250	300	350	400	450	500	550	600	650	700	750	800	850	900	950	1000	1050	1100	1150	1200
200	Sn [m ²]	0,0300	0,0375	0,0450	0,0525	0,0600	0,0675	0,0750	0,0825	0,0900	0,0975	0,1050	0,1125	0,1200	0,1275	0,1350	0,1425	0,1500	0,1575	0,1650	0,1725	0,1800
400	Sn [m ²]	0,0620	0,0775	0,0930	0,1085	0,1240	0,1395	0,1550	0,1705	0,1860	0,2015	0,2170	0,2325	0,2480	0,2635	0,2790	0,2945	0,3100	0,3255	0,3410	0,3565	0,3720
600	Sn [m ²]	0,0940	0,1175	0,1410	0,1645	0,1880	0,2115	0,2350	0,2585	0,2820	0,3055	0,3290	0,3525	0,3760	0,3995	0,4230	0,4465	0,4700	0,4935	0,5170	0,5405	0,5640
800	Sn [m ²]	0,1260	0,1575	0,1890	0,2205	0,2520	0,2835	0,3150	0,3465	0,3780	0,4095	0,4410	0,4725	0,5040	0,5355	0,5670	0,5985	0,6300	0,6615	0,6930	0,7245	0,7560
1000	Sn [m ²]	0,1580	0,1975	0,2370	0,2765	0,3160	0,3555	0,3950	0,4345	0,4740	0,5135	0,5530	0,5925	0,6320	0,6715	0,7110	0,7505	0,7900	0,8295	0,8690	0,9085	0,9480
1200	Sn [m ²]	0,1900	0,2375	0,2850	0,3325	0,3800	0,4275	0,4750	0,5225	0,5700	0,6175	0,6650	0,7125	0,7600	0,8075	0,8550	0,9025	0,9500	0,9975	1,0450	1,0925	1,1400
1400	Sn [m ²]	0,2220	0,2775	0,3330	0,3885	0,4440	0,4995	0,5550	0,6105	0,6660	0,7215	0,7770	0,8325	0,8880	0,9435	0,9990	1,0545	1,1100	1,1655	1,2210	1,2765	1,3320
1600	Sn [m ²]	0,2540	0,3175	0,3810	0,4445	0,5080	0,5715	0,6350	0,6985	0,7620	0,8255	0,8890	0,9525	1,0160	1,0795	1,1430	1,2065	1,2700	1,3335	1,3970	1,4605	1,5240
1800	Sn [m ²]	-	-	-	-	0,5720	0,6435	0,7150	0,7865	0,8580	0,9295	1,0010	1,0725	1,1440	1,2155	1,2870	1,3585	1,4300	1,5015	1,5730	1,6445	1,716
2000	Sn [m ²]	-	-	-	-	0,6360	0,7155	0,7950	0,8745	0,9540	1,0335	1,1130	1,1925	1,2720	1,3515	1,4310	1,5105	1,5900	1,6695	1,7490	1,8285	1,9080
2200	Sn [m ²]	-	-	-	-	0,7000	0,7875	0,8750	0,9625	1,0500	1,1375	1,2250	1,3125	1,4000	1,4875	1,5750	1,6625	1,7500	1,8375	1,9250	2,0125	2,1000
2400	Sn [m ²]	-	-	-	-	0,7640	0,8595	0,9550	1,0505	1,1460	1,2415	1,3370	1,4325	1,5280	1,6235	1,7190	1,8145	1,9100	2,0055	2,1010	2,1965	2,2920

Sample order

MARKAGE MB 350 200 BEN24 PG30 PG30 BP FM 1S

1

2

3

4

5

6

7

1. product
2. width
3. height
4. servomotor type
5. connection flange on the side of the access hatch
6. connection flange on the opposite side of the access hatch
7. option

Approvals and certificates

All our products are submitted to a number of tests by official test institutes. Reports of these tests form the basis for the approvals of the products.



VKF-AEAI_31587_31586

Efectis_1812-CPR-1905